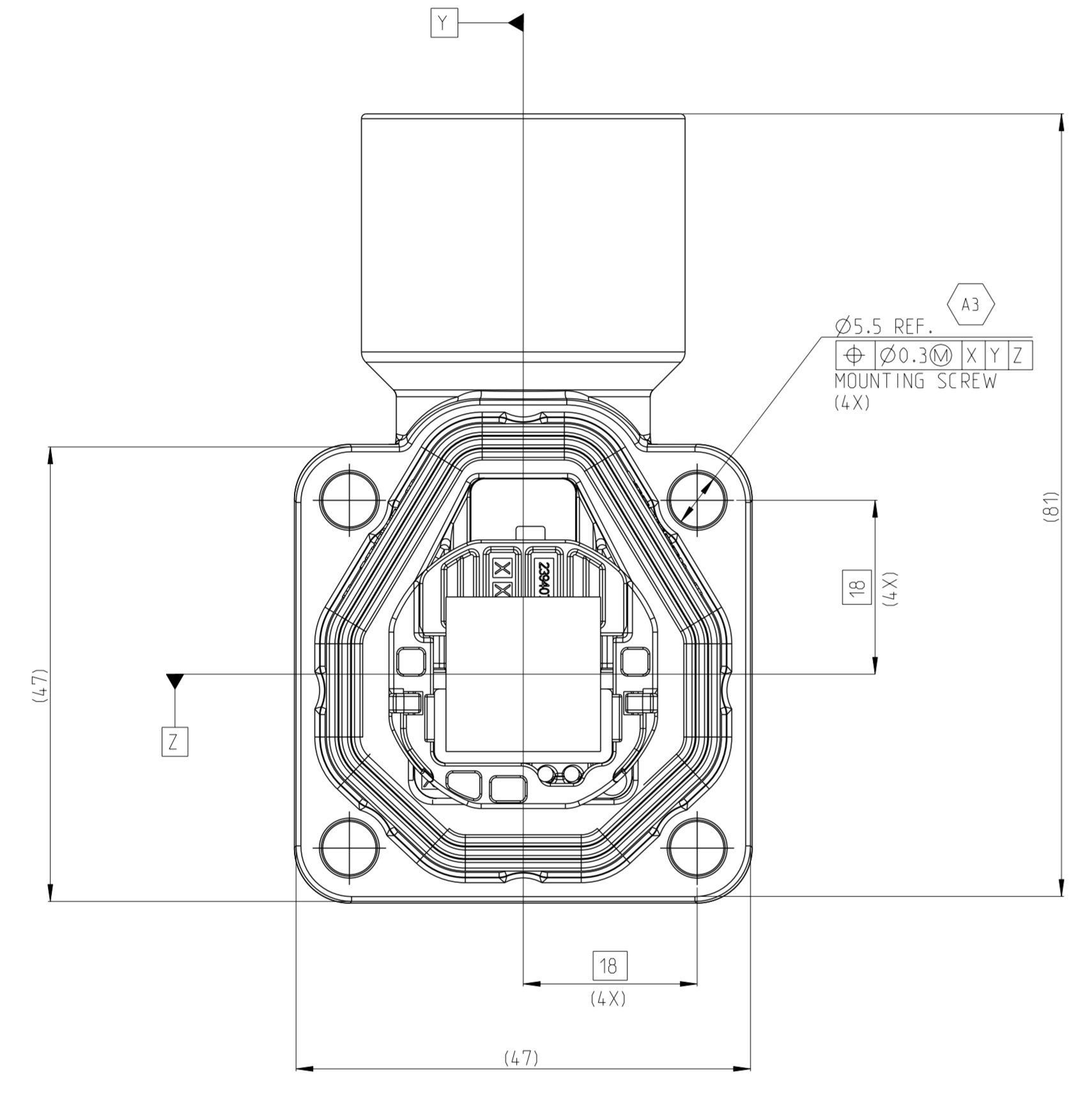
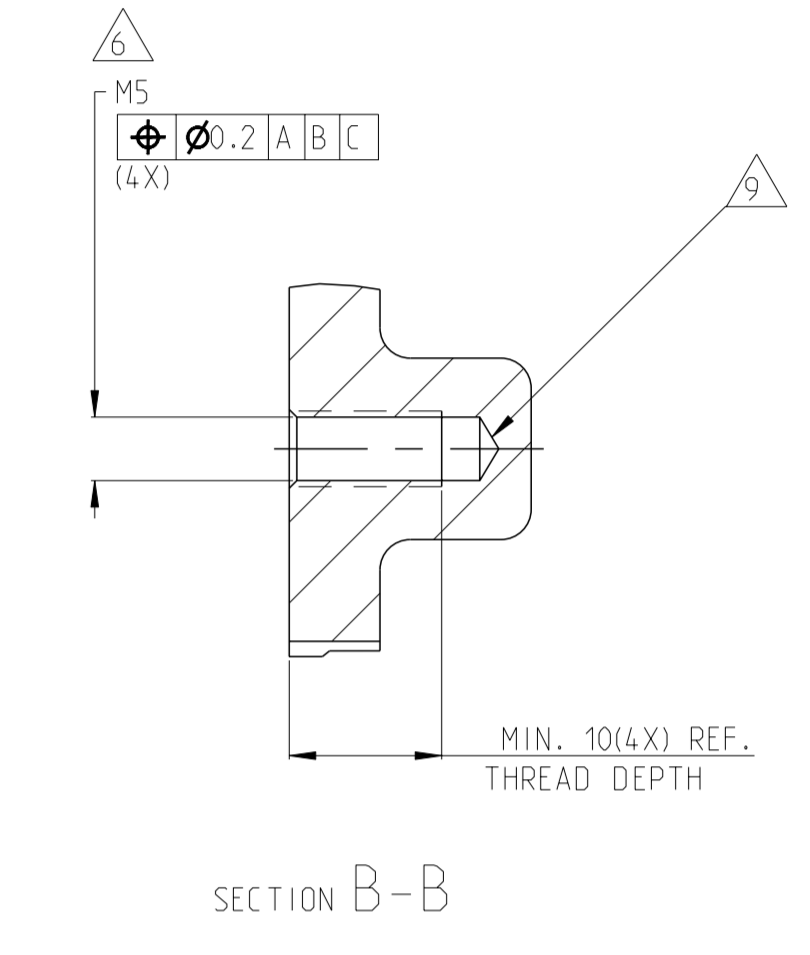
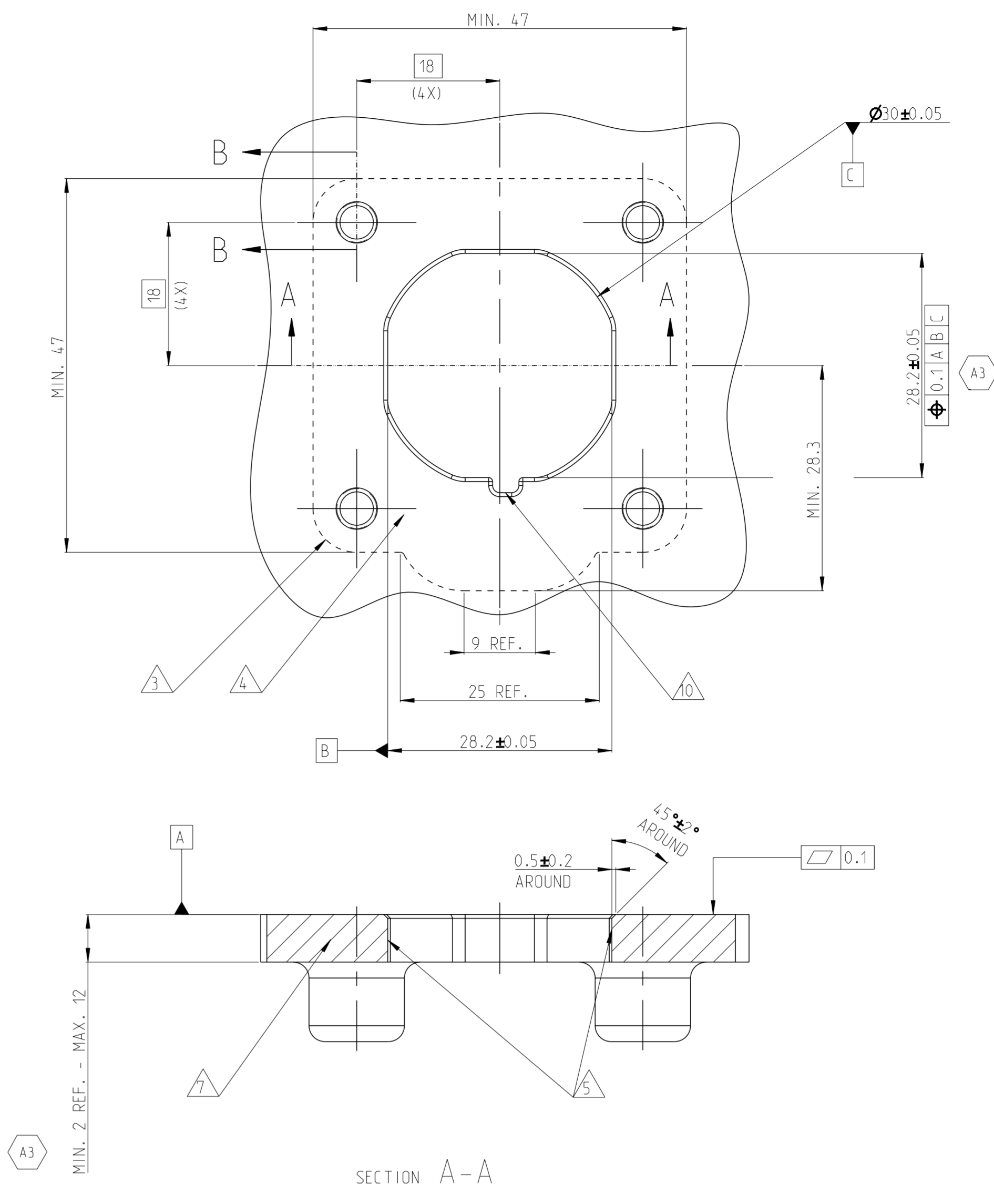
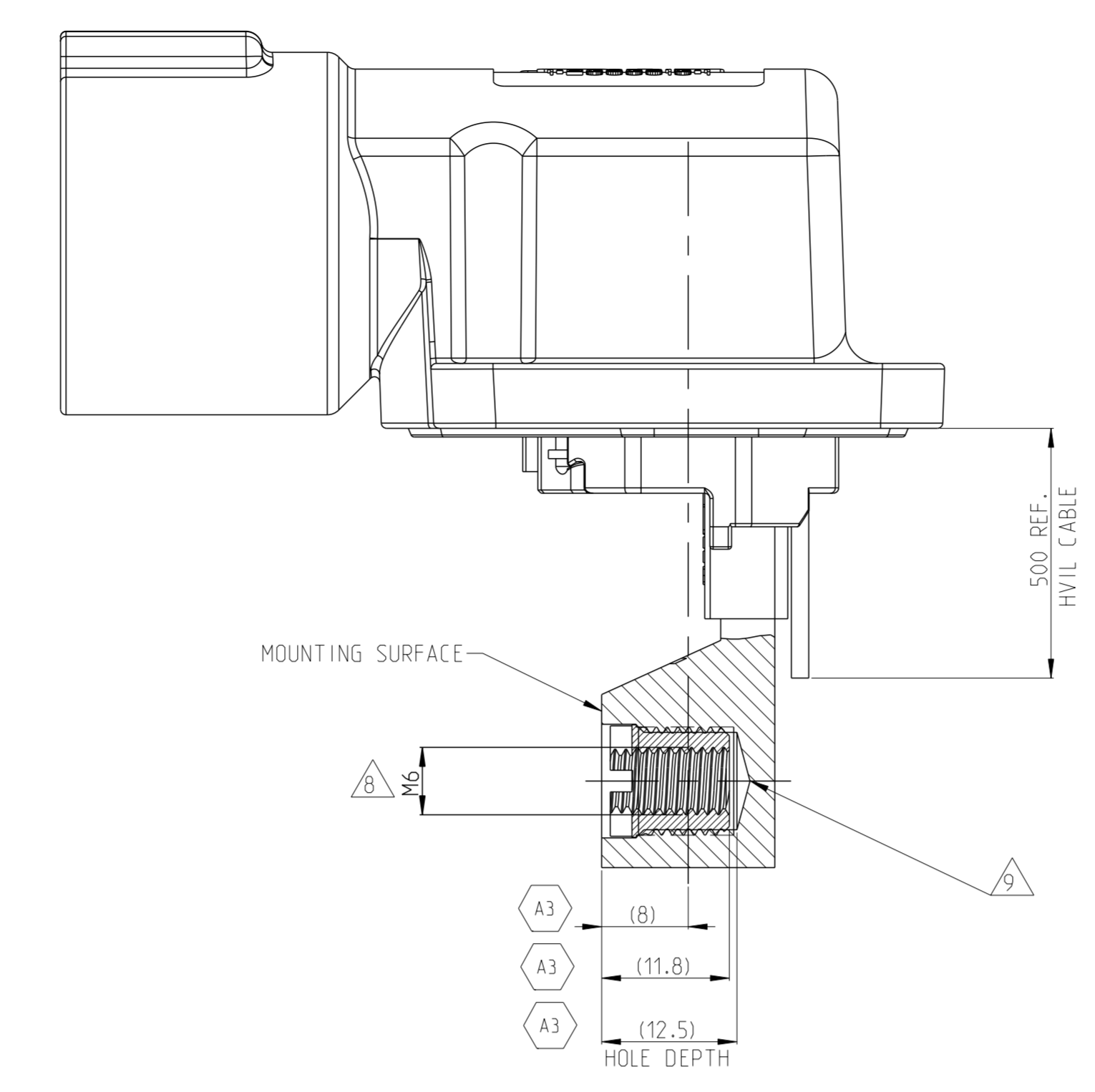
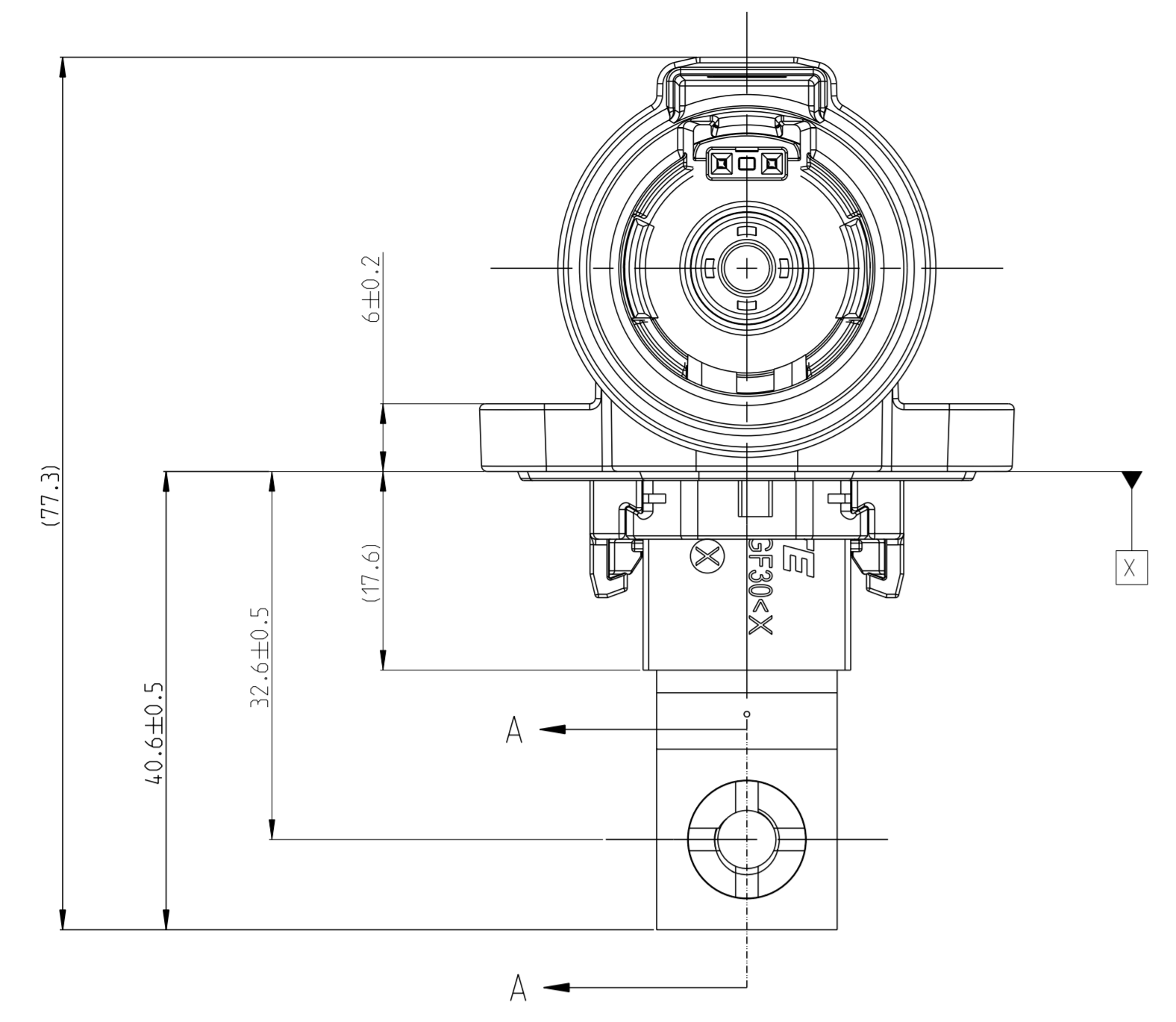


REVISIONS			
REV	DESCRIPTION	DATE	APP'D
A2	INITIAL RELEASE	26AUG2021	N.S. 1.Y
A3	REVISE	28APR2022	C.C. 2.Z

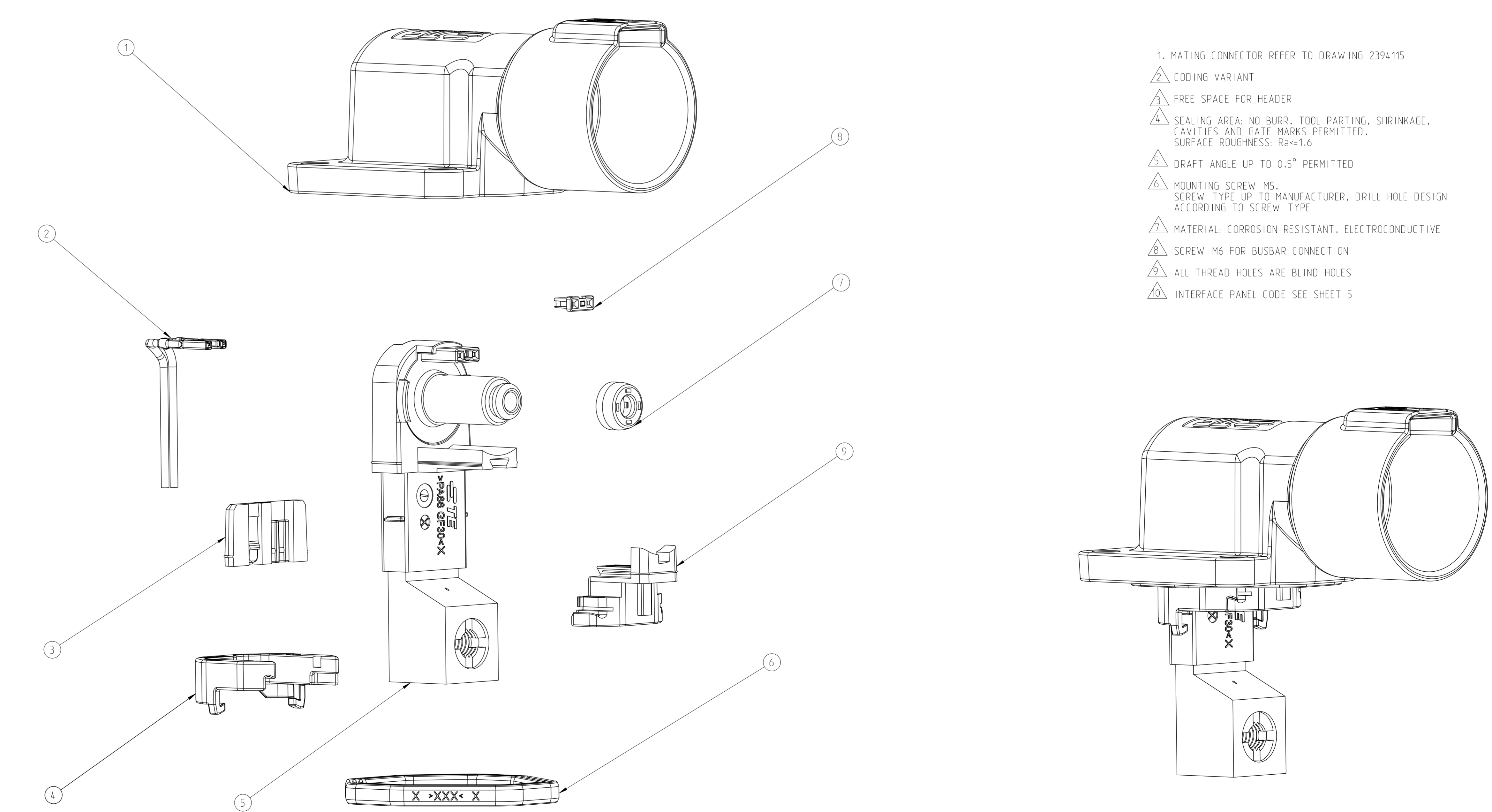
ADAPTER PLATE - HVP-HD1000 1POS HEADER INTERFACE



SECTION A-A

SECTION A-A

SECTION B-B

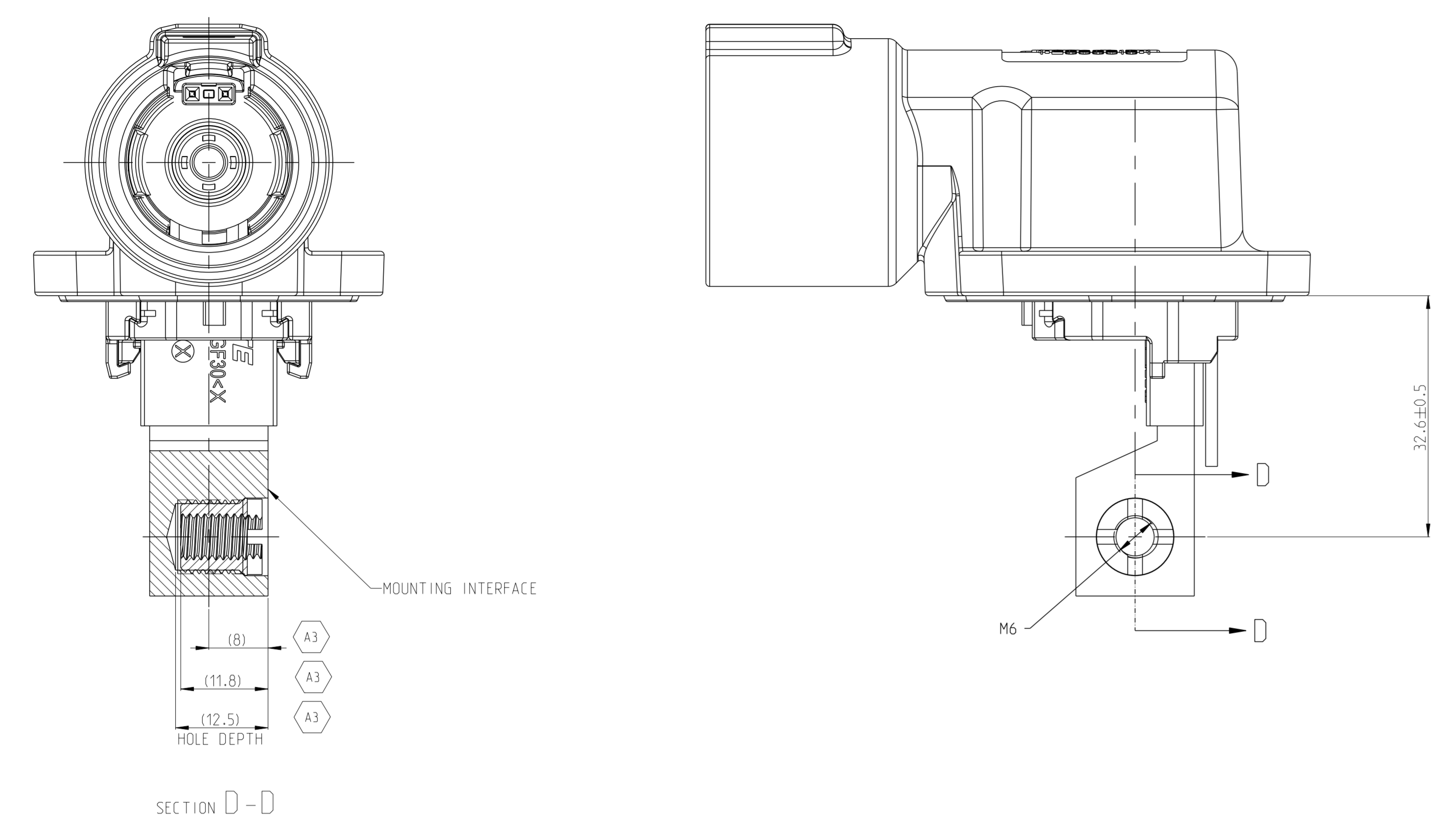


- 1. MATING CONNECTOR REFER TO DRAWING 2394115
- △ CODING VARIANT
- △ FREE SPACE FOR HEADER
- △ SEALING AREA: NO BURR, TOOL PARTING, SHRINKAGE, CAVITIES AND GATE MARKS PERMITTED. SURFACE ROUGHNESS: Ra<=1.6
- △ DRAFT ANGLE UP TO 0.5° PERMITTED
- △ MOUNTING SCREW M5, SCREW TYPE UP TO MANUFACTURER, DRILL HOLE DESIGN ACCORDING TO SCREW TYPE
- △ MATERIAL: CORROSION RESISTANT, ELECTROCONDUCTIVE
- △ SCREW M6 FOR BUSBAR CONNECTION
- △ ALL THREAD HOLES ARE BLIND HOLES
- △ INTERFACE PANEL CODE SEE SHEET 5

TE-ASSY-NO.	CODE	DESCRIPTION	DESCRIPTION	CODE	MATERIAL	SURFACE COLOR	WEIGHT (g)	QTY	ITEM
1-2394070-3	M	1POS,PIN DIA 10.0 HDR ASSY,90DEG	CODE HOUSING FOLLOW 2394070-1	M	PA66-GF	AQUA RED	(165)	1	9
1-2394070-2	L	1POS,PIN DIA 10.0 HDR ASSY,90DEG	CODE HOUSING FOLLOW 2394070-1	L	PA66-GF	AQUA BROWN	(165)	1	9
1-2394070-1	K	1POS,PIN DIA 10.0 HDR ASSY,90DEG	CODE HOUSING FOLLOW 2394070-1	K	PA66-GF	AQUA GREEN	(165)	1	9
2394070-9	J	1POS,PIN DIA 10.0 HDR ASSY,90DEG	CODE HOUSING FOLLOW 2394070-1	J	PA66-GF	ORANGE	(165)	1	9
2394070-8	H	1POS,PIN DIA 10.0 HDR ASSY,90DEG	CODE HOUSING FOLLOW 2394070-1	H	PA66-GF	YELLOW	(165)	1	9
2394070-7	G	1POS,PIN DIA 10.0 HDR ASSY,90DEG	CODE HOUSING FOLLOW 2394070-1	G	PA66-GF	RED	(165)	1	9
2394070-6	F	1POS,PIN DIA 10.0 HDR ASSY,90DEG	CODE HOUSING FOLLOW 2394070-1	F	PA66-GF	BROWN	(165)	1	9
2394070-5	E	1POS,PIN DIA 10.0 HDR ASSY,90DEG	CODE HOUSING FOLLOW 2394070-1	E	PA66-GF	GREEN	(165)	1	9
2394070-4	D	1POS,PIN DIA 10.0 HDR ASSY,90DEG	CODE HOUSING FOLLOW 2394070-1	D	PA66-GF	PURPLE	(165)	1	9
2394070-3	C	1POS,PIN DIA 10.0 HDR ASSY,90DEG	CODE HOUSING FOLLOW 2394070-1	C	PA66-GF	BLUE	(165)	1	9
2394070-2	B	1POS,PIN DIA 10.0 HDR ASSY,90DEG	CODE HOUSING FOLLOW 2394070-1	B	PA66-GF	NATURE	(165)	1	9
2394070-1	A	1POS,PIN DIA 10.0 HDR ASSY,90DEG	CODE HOUSING	A	PA66-GF	BLACK	(165)	1	9
			HEADER TPA	-	PA66-GF	RED		1	8
			FINGER PROTECTION CAP	-	PA66-GF	BLACK		1	7
			FACE SEAL	-	SILICONE	RED		1	6
			BUSBAR OVERMOLD,FRONT SIDE	-	-	-		1	5
			OUTER HOUSING	-	PA66-GF	BLACK		1	4
			INNER HOUSING	-	PA66-GF	BLACK		1	3
HV INTERLOCK TERMINAL	-	-	-	2	2				
HEADER HOUSING 90DEG,1POS	-	AL-ALLOY	NICKEL PLATED	1	1				

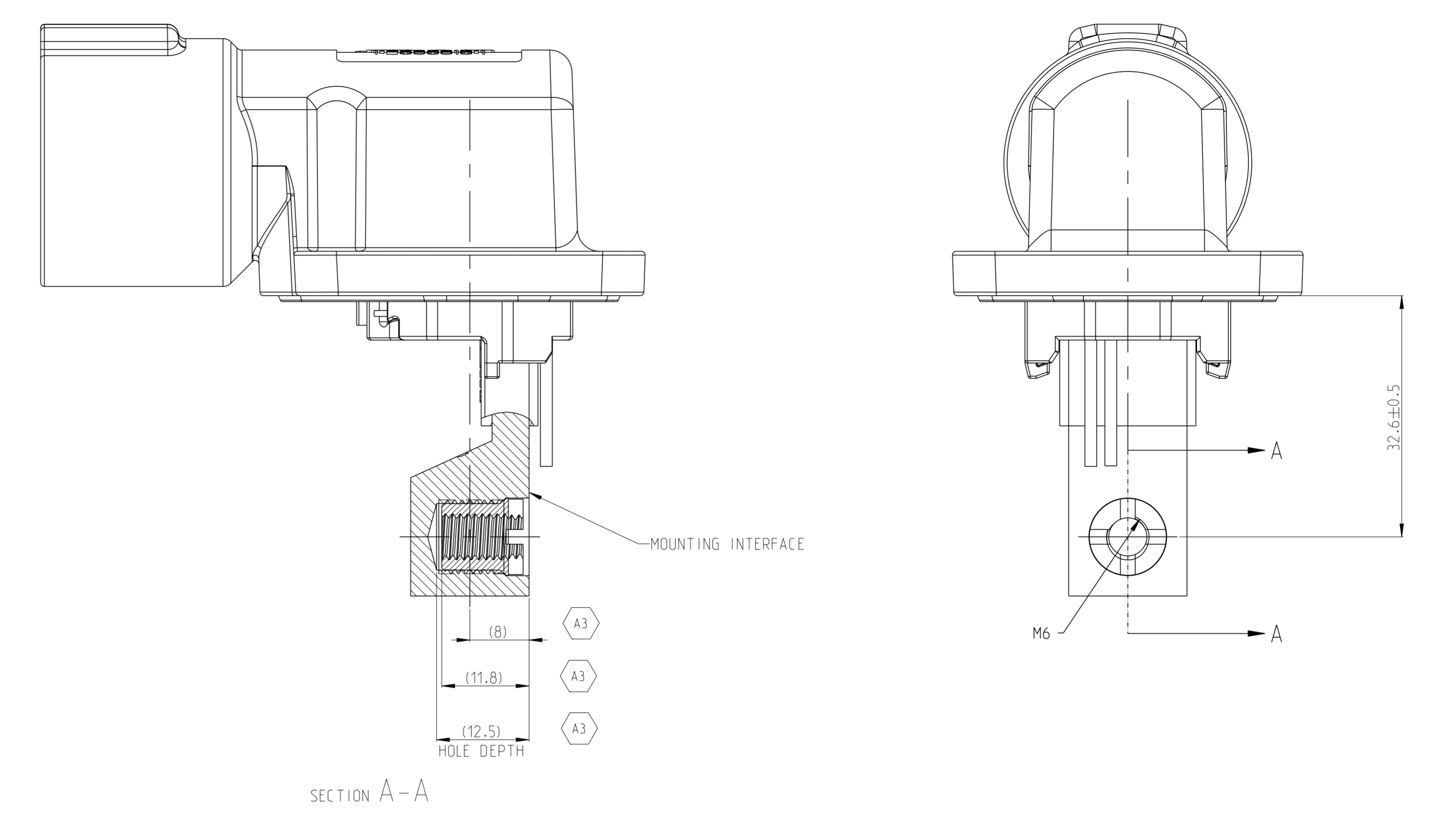
THIS DRAWING IS A CONTROLLED DOCUMENT.		DATE: 26AUG2021	REV: 1	APP'D: N.S.
DIMENSIONS: (UNIT)	TOLERANCES UNLESS OTHERWISE SPECIFIED	DATE: 26AUG2021	REV: 1	APP'D: C.C.
1. PAC ±0.5	2. PLS ±0.1	DATE: 26AUG2021	REV: 1	APP'D: C.C.
3. PLS ±0.1	4. PLS ±0.0001	DATE: 26AUG2021	REV: 1	APP'D: C.C.
5. PLS ±0.0001	6. PLS ±0.0001	DATE: 26AUG2021	REV: 1	APP'D: C.C.
7. PLS ±0.0001	8. PLS ±0.0001	DATE: 26AUG2021	REV: 1	APP'D: C.C.
9. PLS ±0.0001	10. PLS ±0.0001	DATE: 26AUG2021	REV: 1	APP'D: C.C.
11. PLS ±0.0001	12. PLS ±0.0001	DATE: 26AUG2021	REV: 1	APP'D: C.C.
13. PLS ±0.0001	14. PLS ±0.0001	DATE: 26AUG2021	REV: 1	APP'D: C.C.
15. PLS ±0.0001	16. PLS ±0.0001	DATE: 26AUG2021	REV: 1	APP'D: C.C.
17. PLS ±0.0001	18. PLS ±0.0001	DATE: 26AUG2021	REV: 1	APP'D: C.C.
19. PLS ±0.0001	20. PLS ±0.0001	DATE: 26AUG2021	REV: 1	APP'D: C.C.
21. PLS ±0.0001	22. PLS ±0.0001	DATE: 26AUG2021	REV: 1	APP'D: C.C.
23. PLS ±0.0001	24. PLS ±0.0001	DATE: 26AUG2021	REV: 1	APP'D: C.C.
25. PLS ±0.0001	26. PLS ±0.0001	DATE: 26AUG2021	REV: 1	APP'D: C.C.
27. PLS ±0.0001	28. PLS ±0.0001	DATE: 26AUG2021	REV: 1	APP'D: C.C.
29. PLS ±0.0001	30. PLS ±0.0001	DATE: 26AUG2021	REV: 1	APP'D: C.C.
31. PLS ±0.0001	32. PLS ±0.0001	DATE: 26AUG2021	REV: 1	APP'D: C.C.
33. PLS ±0.0001	34. PLS ±0.0001	DATE: 26AUG2021	REV: 1	APP'D: C.C.
35. PLS ±0.0001	36. PLS ±0.0001	DATE: 26AUG2021	REV: 1	APP'D: C.C.
37. PLS ±0.0001	38. PLS ±0.0001	DATE: 26AUG2021	REV: 1	APP'D: C.C.
39. PLS ±0.0001	40. PLS ±0.0001	DATE: 26AUG2021	REV: 1	APP'D: C.C.
41. PLS ±0.0001	42. PLS ±0.0001	DATE: 26AUG2021	REV: 1	APP'D: C.C.
43. PLS ±0.0001	44. PLS ±0.0001	DATE: 26AUG2021	REV: 1	APP'D: C.C.
45. PLS ±0.0001	46. PLS ±0.0001	DATE: 26AUG2021	REV: 1	APP'D: C.C.
47. PLS ±0.0001	48. PLS ±0.0001	DATE: 26AUG2021	REV: 1	APP'D: C.C.
49. PLS ±0.0001	50. PLS ±0.0001	DATE: 26AUG2021	REV: 1	APP'D: C.C.
51. PLS ±0.0001	52. PLS ±0.0001	DATE: 26AUG2021	REV: 1	APP'D: C.C.
53. PLS ±0.0001	54. PLS ±0.0001	DATE: 26AUG2021	REV: 1	APP'D: C.C.
55. PLS ±0.0001	56. PLS ±0.0001	DATE: 26AUG2021	REV: 1	APP'D: C.C.
57. PLS ±0.0001	58. PLS ±0.0001	DATE: 26AUG2021	REV: 1	APP'D: C.C.
59. PLS ±0.0001	60. PLS ±0.0001	DATE: 26AUG2021	REV: 1	APP'D: C.C.
61. PLS ±0.0001	62. PLS ±0.0001	DATE: 26AUG2021	REV: 1	APP'D: C.C.
63. PLS ±0.0001	64. PLS ±0.0001	DATE: 26AUG2021	REV: 1	APP'D: C.C.
65. PLS ±0.0001	66. PLS ±0.0001	DATE: 26AUG2021	REV: 1	APP'D: C.C.
67. PLS ±0.0001	68. PLS ±0.0001	DATE: 26AUG2021	REV: 1	APP'D: C.C.
69. PLS ±0.0001	70. PLS ±0.0001	DATE: 26AUG2021	REV: 1	APP'D: C.C.
71. PLS ±0.0001	72. PLS ±0.0001	DATE: 26AUG2021	REV: 1	APP'D: C.C.
73. PLS ±0.0001	74. PLS ±0.0001	DATE: 26AUG2021	REV: 1	APP'D: C.C.
75. PLS ±0.0001	76. PLS ±0.0001	DATE: 26AUG2021	REV: 1	APP'D: C.C.
77. PLS ±0.0001	78. PLS ±0.0001	DATE: 26AUG2021	REV: 1	APP'D: C.C.
79. PLS ±0.0001	80. PLS ±0.0001	DATE: 26AUG2021	REV: 1	APP'D: C.C.
81. PLS ±0.0001	82. PLS ±0.0001	DATE: 26AUG2021	REV: 1	APP'D: C.C.
83. PLS ±0.0001	84. PLS ±0.0001	DATE: 26AUG2021	REV: 1	APP'D: C.C.
85. PLS ±0.0001	86. PLS ±0.0001	DATE: 26AUG2021	REV: 1	APP'D: C.C.
87. PLS ±0.0001	88. PLS ±0.0001	DATE: 26AUG2021	REV: 1	APP'D: C.C.
89. PLS ±0.0001	90. PLS ±0.0001	DATE: 26AUG2021	REV: 1	APP'D: C.C.
91. PLS ±0.0001	92. PLS ±0.0001	DATE: 26AUG2021	REV: 1	APP'D: C.C.
93. PLS ±0.0001	94. PLS ±0.0001	DATE: 26AUG2021	REV: 1	APP'D: C.C.
95. PLS ±0.0001	96. PLS ±0.0001	DATE: 26AUG2021	REV: 1	APP'D: C.C.
97. PLS ±0.0001	98. PLS ±0.0001	DATE: 26AUG2021	REV: 1	APP'D: C.C.
99. PLS ±0.0001	100. PLS ±0.0001	DATE: 26AUG2021	REV: 1	APP'D: C.C.
101. PLS ±0.0001	102. PLS ±0.0001	DATE: 26AUG2021	REV: 1	APP'D: C.C.
103. PLS ±0.0001	104. PLS ±0.0001	DATE: 26AUG2021	REV: 1	APP'D: C.C.
105. PLS ±0.0001	106. PLS ±0.0001	DATE: 26AUG2021	REV: 1	APP'D: C.C.
107. PLS ±0.0001	108. PLS ±0.0001	DATE: 26AUG2021	REV: 1	APP'D: C.C.
109. PLS ±0.0001	110. PLS ±0.0001	DATE: 26AUG2021	REV: 1	APP'D: C.C.
111. PLS ±0.0001	112. PLS ±0.0001	DATE: 26AUG2021	REV: 1	APP'D: C.C.
113. PLS ±0.0001	114. PLS ±0.0001	DATE: 26AUG2021	REV: 1	APP'D: C.C.
115. PLS ±0.0001	116. PLS ±0.0001	DATE: 26AUG2021	REV: 1	APP'D: C.C.
117. PLS ±0.0001	118. PLS ±0.0001	DATE: 26AUG2021	REV: 1	APP'D: C.C.
119. PLS ±0.0001	120. PLS ±0.0001	DATE: 26AUG2021	REV: 1	APP'D: C.C.
121. PLS ±0.0001	122. PLS ±0.0001	DATE: 26AUG2021	REV: 1	APP'D: C.C.
123. PLS ±0.0001	124. PLS ±0.0001	DATE: 26AUG2021	REV: 1	APP'D: C.C.
125. PLS ±0.0001	126. PLS ±0.0001	DATE: 26AUG2021	REV: 1	APP'D: C.C.
127. PLS ±0.0001	128. PLS ±0.0001	DATE: 26AUG2021	REV: 1	APP'D: C.C.
129. PLS ±0.0001	130. PLS ±0.0001	DATE: 26AUG2021	REV: 1	APP'D: C.C.
131. PLS ±0.0001	132. PLS ±0.0001	DATE: 26AUG2021	REV: 1	APP'D: C.C.
133. PLS ±0.0001	134. PLS ±0.0001	DATE: 26AUG2021	REV: 1	APP'D: C.C.
135. PLS ±0.0001	136. PLS ±0.0001	DATE: 26AUG2021	REV: 1	APP'D: C.C.
137. PLS ±0.0001	138. PLS ±0.0001	DATE: 26AUG2021	REV: 1	APP'D: C.C.
139. PLS ±0.0001	140. PLS ±0.0001	DATE: 26AUG2021	REV: 1	APP'D: C.C.
141. PLS ±0.0001	142. PLS ±0.0001	DATE: 26AUG2021	REV: 1	APP'D: C.C.
143. PLS ±0.0001	144. PLS ±0.0001	DATE: 26AUG2021	REV: 1	APP'D: C.C.
145. PLS ±0.0001	146. PLS ±0.0001	DATE: 26AUG2021	REV: 1	APP'D: C.C.
147. PLS ±0.0001	148. PLS ±0.0001	DATE: 26AUG2021	REV: 1	APP'D: C.C.
149. PLS ±0.0001	150. PLS ±0.0001	DATE: 26AUG2021	REV: 1	APP'D: C.C.
151. PLS ±0.0001	152. PLS ±0.0001	DATE: 26AUG2021	REV: 1	APP'D: C.C.
153. PLS ±0.0001	154. PLS ±0.0001	DATE: 26AUG2021	REV: 1	APP'D: C.C.
155. PLS ±0.0001	156. PLS ±0.0001	DATE: 26AUG2021	REV: 1	APP'D: C.C.
157. PLS ±0.0001	158. PLS ±0.0001	DATE: 26AUG2021	REV: 1	APP'D: C.C.
159. PLS ±0.0001	160. PLS ±0.0001	DATE: 26AUG2021	REV: 1	APP'D: C.C.
161. PLS ±0.0001	162. PLS ±0.0001	DATE: 26AUG2021	REV: 1	APP'D: C.C.
163. PLS ±0.0001	164. PLS ±0.0001	DATE: 26AUG2021	REV: 1	APP'D: C.C.
165. PLS ±0.0001	166. PLS ±0.0001	DATE: 26AUG2021	REV: 1	APP'D: C.C.
167. PLS ±0.0001	168. PLS ±0.0001	DATE: 26AUG2021	REV: 1	APP'D: C.C.
169. PLS ±0.0001	170. PLS ±0.0001	DATE: 26AUG2021	REV: 1	APP'D: C.C.
171. PLS ±0.0001	172. PLS ±0.0001	DATE: 26AUG2021	REV: 1	APP'D: C.C.
173. PLS ±0.0001	174. PLS ±0.0001	DATE: 26AUG2021	REV: 1	APP'D: C.C.
175. PLS ±0.0001	176. PLS ±0.0001	DATE: 26AUG2021	REV: 1	APP'D: C.C.
177. PLS ±0.0001	178. PLS ±0.0001	DATE: 26AUG2021	REV: 1	APP'D: C.C.
179. PLS ±0.0001	180. PLS ±0.0001	DATE: 26AUG2021	REV: 1	APP'D: C.C.
181. PLS ±0.0001	182. PLS ±0.0001	DATE: 26AUG2021	REV: 1	APP'D: C.C.
183. PLS ±0.0001	184. PLS ±0.0001	DATE: 26AUG2021	REV: 1	APP'D: C.C.
185. PLS ±0.0001	186. PLS ±0.0001	DATE: 26AUG2021	REV: 1	APP'D: C.C.
187. PLS ±0.0001	188. PLS ±0.0001	DATE: 26AUG2021	REV: 1	APP'D: C.C.
189. PLS ±0.0001	190. PLS ±0.0001	DATE: 26AUG2021	REV: 1	APP'D: C.C.
191. PLS ±0.0001	192. PLS ±0.0001	DATE: 26AUG2021	REV: 1	APP'D: C.C.
193. PLS ±0.0001	194. PLS ±0.0001	DATE: 26AUG2021	REV: 1	APP'D: C.C.
195. PLS ±0.0001	196. PLS ±0.0001	DATE: 26AUG2021	REV: 1	APP'D: C.C.
197. PLS ±0.0001	198. PLS ±0.0001	DATE: 26AUG2021	REV: 1	APP'D: C.C.
199. PLS ±0.0001	200. PLS ±0.0001	DATE: 26AUG2021	REV: 1	APP'D: C.C.
201. PLS ±0.0001	202. PLS ±0.0001	DATE: 26AUG2021	REV: 1	APP'D: C.C.
203. PLS ±0.0001	204. PLS ±0.0001	DATE: 26AUG2021	REV: 1	APP'D: C.C.
205. PLS ±0.0001	206. PLS ±0.0001	DATE: 26AUG2021	REV: 1	APP'D: C.C.
207. PLS ±0.0001	208. PLS ±0.0001	DATE: 26AUG2021	REV: 1	APP'D: C.C.
209. PLS ±0.0001	210. PLS ±0.0001	DATE: 26AUG2021	REV: 1	APP'D: C.C.
211. PLS ±0.0001	212. PLS ±0.0001	DATE: 26AUG2021	REV: 1	APP'D: C.C.
213. PLS ±0.0001	214. PLS ±0.0001	DATE: 26AUG2021	REV: 1	APP'D: C.C.

REVISIONS			
REV	DATE	BY	APPD
1			
SEE SHEET 1			



1.MISSING DIMENSION REFER TO 2394070-1

TE-ASSY-NO.	CODE	DESCRIPTION	DESCRIPTION	CODE	MATERIAL	SURFACE COLOR	WEIGHT (g)	QTY	ITEM
3-2394070-3	M	1POS.PIN DIA 10.0 HDR ASSY.90DEG	CODE HOUSING FOLLOW 2-2394070-1	M	PA66-GF	AQUA RED	(165)	1	9
3-2394070-2	L	1POS.PIN DIA 10.0 HDR ASSY.90DEG	CODE HOUSING FOLLOW 2-2394070-1	L	PA66-GF	AQUA BROWN	(165)	1	9
3-2394070-1	K	1POS.PIN DIA 10.0 HDR ASSY.90DEG	CODE HOUSING FOLLOW 2-2394070-1	K	PA66-GF	AQUA GREEN	(165)	1	9
2-2394070-9	J	1POS.PIN DIA 10.0 HDR ASSY.90DEG	CODE HOUSING FOLLOW 2-2394070-1	J	PA66-GF	ORANGE	(165)	1	9
2-2394070-8	H	1POS.PIN DIA 10.0 HDR ASSY.90DEG	CODE HOUSING FOLLOW 2-2394070-1	H	PA66-GF	YELLOW	(165)	1	9
2-2394070-7	G	1POS.PIN DIA 10.0 HDR ASSY.90DEG	CODE HOUSING FOLLOW 2-2394070-1	G	PA66-GF	RED	(165)	1	9
2-2394070-6	F	1POS.PIN DIA 10.0 HDR ASSY.90DEG	CODE HOUSING FOLLOW 2-2394070-1	F	PA66-GF	BRDWN	(165)	1	9
2-2394070-5	E	1POS.PIN DIA 10.0 HDR ASSY.90DEG	CODE HOUSING FOLLOW 2-2394070-1	E	PA66-GF	GREEN	(165)	1	9
2-2394070-4	D	1POS.PIN DIA 10.0 HDR ASSY.90DEG	CODE HOUSING FOLLOW 2-2394070-1	D	PA66-GF	PURPLE	(165)	1	9
2-2394070-3	C	1POS.PIN DIA 10.0 HDR ASSY.90DEG	CODE HOUSING FOLLOW 2-2394070-1	C	PA66-GF	BLUE	(165)	1	9
2-2394070-2	B	1POS.PIN DIA 10.0 HDR ASSY.90DEG	CODE HOUSING FOLLOW 2-2394070-1	B	PA66-GF	NATURE	(165)	1	9
2-2394070-1	A	1POS.PIN DIA 10.0 HDR ASSY.90DEG	CODE HOUSING HEADER TPA FINGER PROTECTION CAP FACE SEAL BUSBAR OVERMOLD,RIGHT SIDE OUTER HOUSING INNER HOUSING HV INTERLOCK TERMINAL HEADER HOUSING 90DEG,1POS	A	PA66-GF PA66-GF PA66-GF SILICONE - PA66-GF PA66-GF - AL-ALLOY	BLACK RED BLACK RED - BLACK BLACK - NICKEL PLATED	(165)	1 1 1 1 1 1 2 1	9 8 7 6 5 4 3 2 1



1.MISSING DIMENSION REFER TO 2394070-1

TE-ASSY-NO.	CODE	DESCRIPTION	DESCRIPTION	CODE	MATERIAL	SURFACE COLOR	WEIGHT (g)	QTY	ITEM
5-2394070-3	M	1POS.PIN DIA 10.0 HDR ASSY.90DEG	CODE HOUSING FOLLOW 4-2394070-1	M	PA66-GF	AQUA RED	(165)	1	9
5-2394070-2	L	1POS.PIN DIA 10.0 HDR ASSY.90DEG	CODE HOUSING FOLLOW 4-2394070-1	L	PA66-GF	AQUA BROWN	(165)	1	9
5-2394070-1	K	1POS.PIN DIA 10.0 HDR ASSY.90DEG	CODE HOUSING FOLLOW 4-2394070-1	K	PA66-GF	AQUA GREEN	(165)	1	9
4-2394070-9	J	1POS.PIN DIA 10.0 HDR ASSY.90DEG	CODE HOUSING FOLLOW 4-2394070-1	J	PA66-GF	ORANGE	(165)	1	9
4-2394070-8	H	1POS.PIN DIA 10.0 HDR ASSY.90DEG	CODE HOUSING FOLLOW 4-2394070-1	H	PA66-GF	YELLOW	(165)	1	9
4-2394070-7	G	1POS.PIN DIA 10.0 HDR ASSY.90DEG	CODE HOUSING FOLLOW 4-2394070-1	G	PA66-GF	RED	(165)	1	9
4-2394070-6	F	1POS.PIN DIA 10.0 HDR ASSY.90DEG	CODE HOUSING FOLLOW 4-2394070-1	F	PA66-GF	BROWN	(165)	1	9
4-2394070-5	E	1POS.PIN DIA 10.0 HDR ASSY.90DEG	CODE HOUSING FOLLOW 4-2394070-1	E	PA66-GF	GREEN	(165)	1	9
4-2394070-4	D	1POS.PIN DIA 10.0 HDR ASSY.90DEG	CODE HOUSING FOLLOW 4-2394070-1	D	PA66-GF	PURPLE	(165)	1	9
4-2394070-3	C	1POS.PIN DIA 10.0 HDR ASSY.90DEG	CODE HOUSING FOLLOW 4-2394070-1	C	PA66-GF	BLUE	(165)	1	9
4-2394070-2	B	1POS.PIN DIA 10.0 HDR ASSY.90DEG	CODE HOUSING FOLLOW 4-2394070-1	B	PA66-GF	NATURE	(165)	1	9
4-2394070-1	A	1POS.PIN DIA 10.0 HDR ASSY.90DEG	CODE HOUSING HEADER TPA FINGER PROTECTION CAP FACE SEAL BUSBAR OVERMOLD,BACK SIDE OUTER HOUSING INNER HOUSING HV INTERLOCK TERMINAL HEADER HOUSING 90DEG,1POS	A	PA66-GF PA66-GF PA66-GF SILICONE - PA66-GF PA66-GF - AL-ALLOY	BLACK RED BLACK RED - BLACK BLACK - NICKEL PLATED	(165)	1 1 1 1 1 1 2 1	9 8 7 6 5 4 3 2 1

THIS DRAWING IS A CONTROLLED DOCUMENT.

TE Connectivity

1POS.PIN DIA 10.0 HDR ASSY.90DEG
HVP-HD1000

108-160341

114-160181

SCALE: 2:1

SHEET 2 OF 5

DATE: 26AUG2021

BY: J.SHI

CHK: L.L.

APPV: J.LYIN

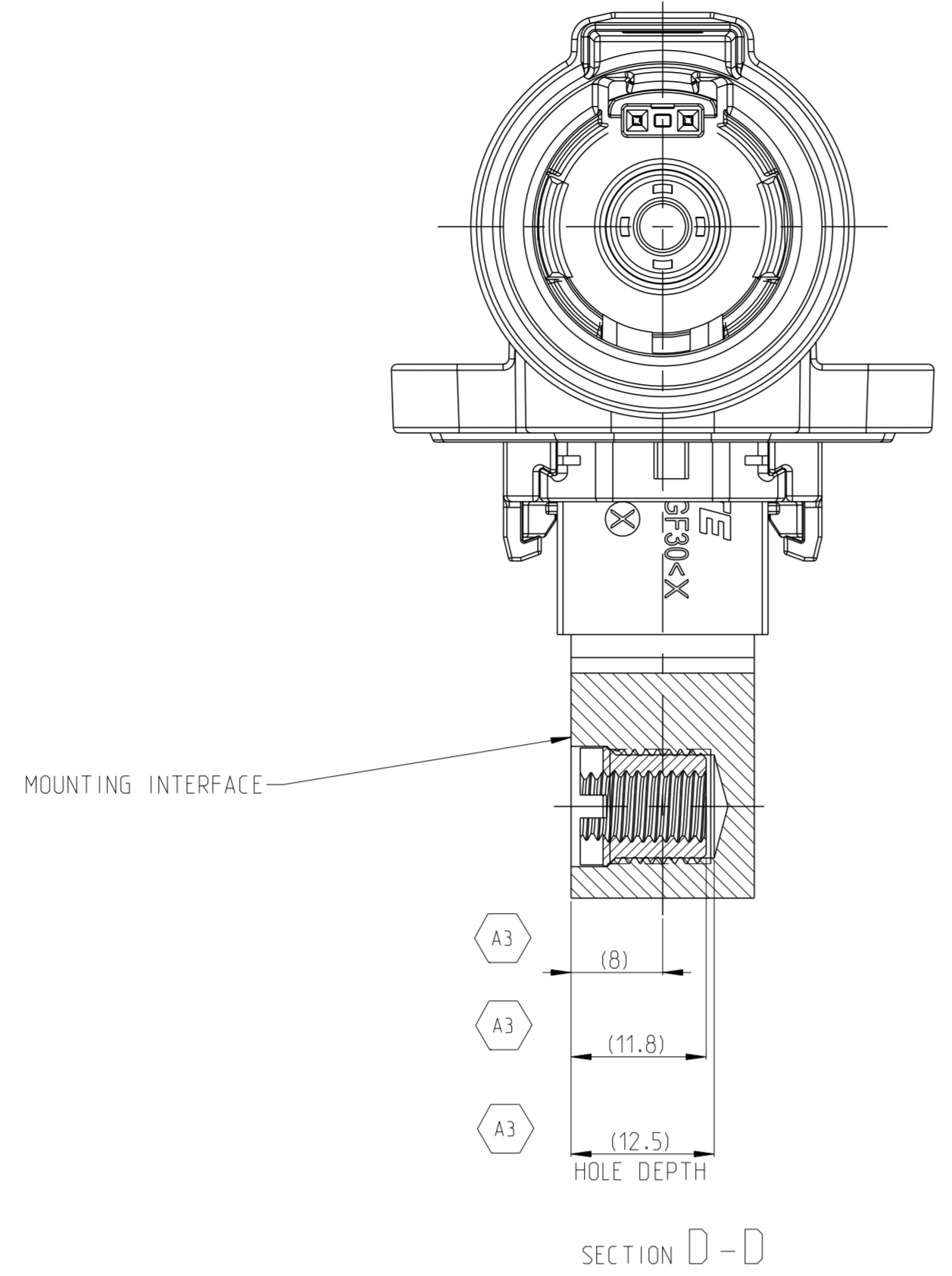
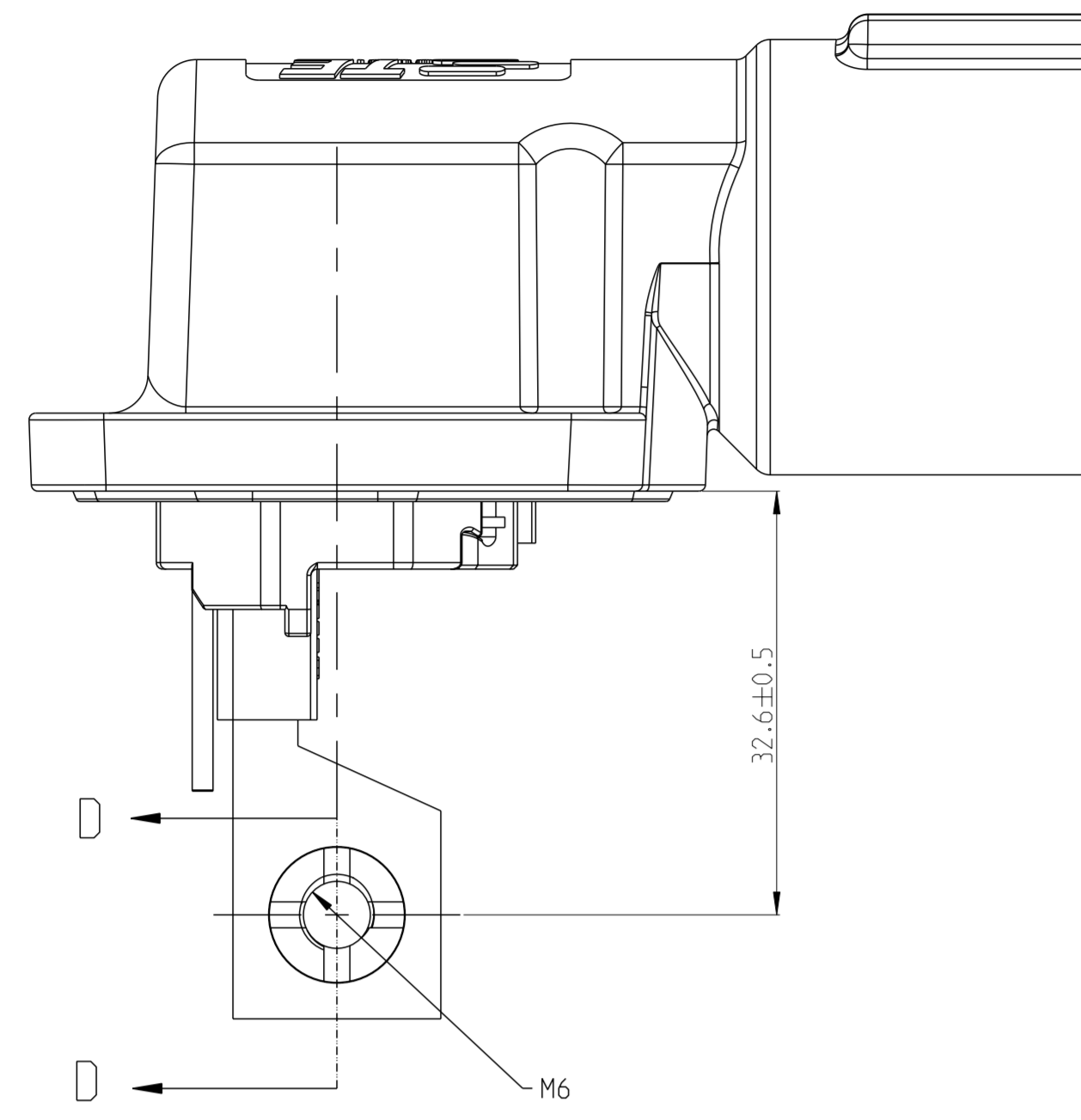
PRODUCT SPEC: 108-160341

APPLICATION SPEC: 114-160181

WEIGHT: SEE TABLE

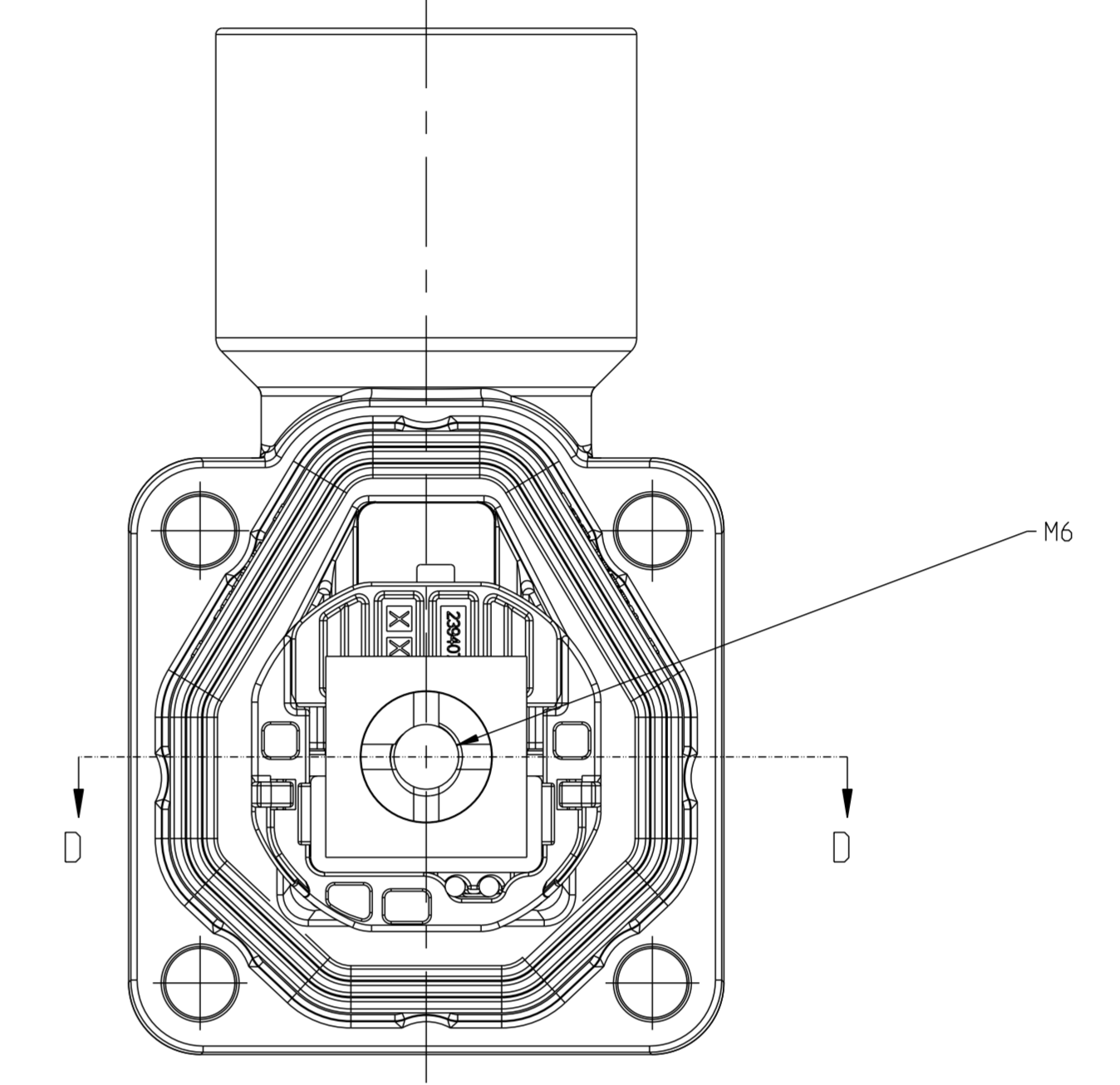
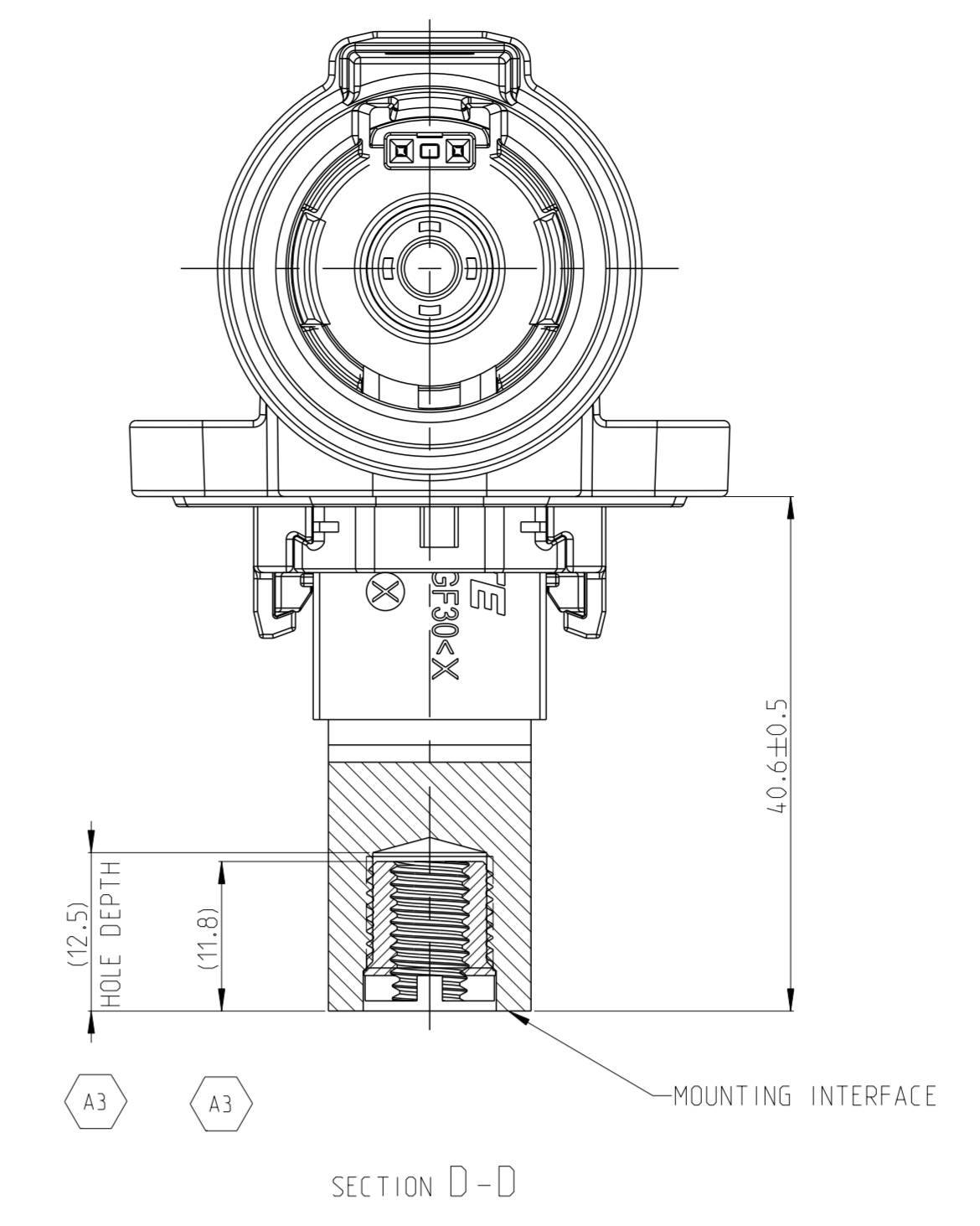
CUSTOMER DRAWING

REVISIONS			
REV	DATE	BY	APPV
1			
SEE SHEET 1			



1.MISSING DIMENSION REFER TO 2394070-1

TE-ASSY-NO.	CODE	DESCRIPTION	DESCRIPTION	CODE	MATERIAL	SURFACE COLOR	WEIGHT (g)	QTY	ITEM
7-2394070-3	M	1POS,PIN DIA 10.0 HDR ASSY,90DEG	CODE HOUSING	M	PA66-GF	AQUA RED	(165)	1	9
			FOLLOW 6-2394070-1	-	-	-	-	-	1-8
7-2394070-2	L	1POS,PIN DIA 10.0 HDR ASSY,90DEG	CODE HOUSING	L	PA66-GF	AQUA BROWN	(165)	1	9
			FOLLOW 6-2394070-1	-	-	-	-	-	1-8
7-2394070-1	K	1POS,PIN DIA 10.0 HDR ASSY,90DEG	CODE HOUSING	K	PA66-GF	AQUA GREEN	(165)	1	9
			FOLLOW 6-2394070-1	-	-	-	-	-	1-8
6-2394070-9	J	1POS,PIN DIA 10.0 HDR ASSY,90DEG	CODE HOUSING	J	PA66-GF	ORANGE	(165)	1	9
			FOLLOW 6-2394070-1	-	-	-	-	-	1-8
6-2394070-8	H	1POS,PIN DIA 10.0 HDR ASSY,90DEG	CODE HOUSING	H	PA66-GF	YELLOW	(165)	1	9
			FOLLOW 6-2394070-1	-	-	-	-	-	1-8
6-2394070-7	G	1POS,PIN DIA 10.0 HDR ASSY,90DEG	CODE HOUSING	G	PA66-GF	RED	(165)	1	9
			FOLLOW 6-2394070-1	-	-	-	-	-	1-8
6-2394070-6	F	1POS,PIN DIA 10.0 HDR ASSY,90DEG	CODE HOUSING	F	PA66-GF	BRDWN	(165)	1	9
			FOLLOW 6-2394070-1	-	-	-	-	-	1-8
6-2394070-5	E	1POS,PIN DIA 10.0 HDR ASSY,90DEG	CODE HOUSING	E	PA66-GF	GREEN	(165)	1	9
			FOLLOW 6-2394070-1	-	-	-	-	-	1-8
6-2394070-4	D	1POS,PIN DIA 10.0 HDR ASSY,90DEG	CODE HOUSING	D	PA66-GF	PURPLE	(165)	1	9
			FOLLOW 6-2394070-1	-	-	-	-	-	1-8
6-2394070-3	C	1POS,PIN DIA 10.0 HDR ASSY,90DEG	CODE HOUSING	C	PA66-GF	BLUE	(165)	1	9
			FOLLOW 6-2394070-1	-	-	-	-	-	1-8
6-2394070-2	B	1POS,PIN DIA 10.0 HDR ASSY,90DEG	CODE HOUSING	B	PA66-GF	NATURE	(165)	1	9
			FOLLOW 6-2394070-1	-	-	-	-	-	1-8
6-2394070-1	A	1POS,PIN DIA 10.0 HDR ASSY,90DEG	CODE HOUSING	A	PA66-GF	BLACK	(165)	1	9
			HEADER TPA	-	PA66-GF	RED	-	1	8
			FINGER PROTECTION CAP	-	PA66-GF	BLACK	-	1	7
			FACE SEAL	-	SILICONE	RED	-	1	6
			BUSBAR OVERMOLD LEFT SIDE	-	-	-	-	1	5
			OUTER HOUSING	-	PA66-GF	BLACK	-	1	4
			INNER HOUSING	-	PA66-GF	BLACK	-	1	3
			HV INTERLOCK TERMINAL	-	-	-	-	2	2
			HEADER HOUSING 90DEG,1POS	-	AL-ALLOY	NICKEL PLATED	-	1	1



1.MISSING DIMENSION REFER TO 2394070-1

TE-ASSY-NO.	CODE	DESCRIPTION	DESCRIPTION	CODE	MATERIAL	SURFACE COLOR	WEIGHT (g)	QTY	ITEM
9-2394070-3	M	1POS,PIN DIA 10.0 HDR ASSY,90DEG	CODE HOUSING	M	PA66-GF	AQUA RED	(165)	1	9
			FOLLOW 8-2394070-1	-	-	-	-	-	1-8
9-2394070-2	L	1POS,PIN DIA 10.0 HDR ASSY,90DEG	CODE HOUSING	L	PA66-GF	AQUA BROWN	(165)	1	9
			FOLLOW 8-2394070-1	-	-	-	-	-	1-8
9-2394070-1	K	1POS,PIN DIA 10.0 HDR ASSY,90DEG	CODE HOUSING	K	PA66-GF	AQUA GREEN	(165)	1	9
			FOLLOW 8-2394070-1	-	-	-	-	-	1-8
8-2394070-9	J	1POS,PIN DIA 10.0 HDR ASSY,90DEG	CODE HOUSING	J	PA66-GF	DRANGE	(165)	1	9
			FOLLOW 8-2394070-1	-	-	-	-	-	1-8
8-2394070-8	H	1POS,PIN DIA 10.0 HDR ASSY,90DEG	CODE HOUSING	H	PA66-GF	YELLOW	(165)	1	9
			FOLLOW 8-2394070-1	-	-	-	-	-	1-8
8-2394070-7	G	1POS,PIN DIA 10.0 HDR ASSY,90DEG	CODE HOUSING	G	PA66-GF	RED	(165)	1	9
			FOLLOW 8-2394070-1	-	-	-	-	-	1-8
8-2394070-6	F	1POS,PIN DIA 10.0 HDR ASSY,90DEG	CODE HOUSING	F	PA66-GF	BROWN	(165)	1	9
			FOLLOW 8-2394070-1	-	-	-	-	-	1-8
8-2394070-5	E	1POS,PIN DIA 10.0 HDR ASSY,90DEG	CODE HOUSING	E	PA66-GF	GREEN	(165)	1	9
			FOLLOW 8-2394070-1	-	-	-	-	-	1-8
8-2394070-4	D	1POS,PIN DIA 10.0 HDR ASSY,90DEG	CODE HOUSING	D	PA66-GF	PURPLE	(165)	1	9
			FOLLOW 8-2394070-1	-	-	-	-	-	1-8
8-2394070-3	C	1POS,PIN DIA 10.0 HDR ASSY,90DEG	CODE HOUSING	C	PA66-GF	BLUE	(165)	1	9
			FOLLOW 8-2394070-1	-	-	-	-	-	1-8
8-2394070-2	B	1POS,PIN DIA 10.0 HDR ASSY,90DEG	CODE HOUSING	B	PA66-GF	NATURE	(165)	1	9
			FOLLOW 8-2394070-1	-	-	-	-	-	1-8
8-2394070-1	A	1POS,PIN DIA 10.0 HDR ASSY,90DEG	CODE HOUSING	A	PA66-GF	BLACK	(165)	1	9
			HEADER TPA	-	PA66-GF	RED	-	1	8
			FINGER PROTECTION CAP	-	PA66-GF	BLACK	-	1	7
			FACE SEAL	-	SILICONE	RED	-	1	6
			BUSBAR OVERMOLD TOP SIDE	-	-	-	-	1	5
			OUTER HOUSING	-	PA66-GF	BLACK	-	1	4
			INNER HOUSING	-	PA66-GF	BLACK	-	1	3
			HV INTERLOCK TERMINAL	-	-	-	-	2	2
			HEADER HOUSING 90DEG,1POS	-	AL-ALLOY	NICKEL PLATED	-	1	1

THIS DRAWING IS A CONTROLLED DOCUMENT.

STC Connectivity

1POS,PIN DIA 10.0 HDR ASSY,90DEG
HVP-HD1000

108-160341

114-160181

SCALE: 2:1

SHEET 3 OF 5

REV A3

REVISIONS			
REV	DESCRIPTION	DATE	BY
1	SEE SHEET 1		

TABLE 5

CODE A	CODE B	CODE C	CODE D
CODE E	CODE F	CODE G	CODE H
CODE J	CODE K	CODE L	CODE M

THIS DRAWING IS A CONTROLLED DOCUMENT.

DATE	26AUG2021
CHK	L.L.
APPV	J.V.I.N.
DATE	26AUG2021

TE Connectivity

1POS. PIN DIA 10.0 HDR ASSY.90DEG HVP-HD1000

108-160341

314-160181

00779

SCALE 2:1

SHEET 4 OF 5

REV A3

printed on 08/26/2021 10:41:03 AM Standard Time from 1648995

