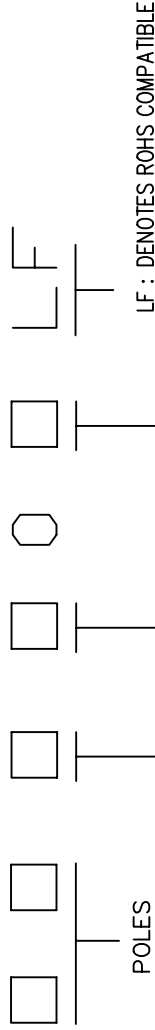


PRODUCT NUMBER
20020009-XXXXXXLF

20020009-



PITCH

- C : 3.50 mm
- D : 3.81 mm
- G : 5.00 mm
- H : 5.08 mm

POLES

- 02: 2 POLES
- 03: 3 POLES
- 04: 4 POLES
- ...
- 24: 24 POLES

LF : DENOTES ROHS COMPATIBLE

1 : STANDARD PRODUCT
W/ BOX PACKING

SCREW CODE

CODE	SCREW TYPE	AVAILABILITY
A	-/+	ON REQUEST ONLY
B	-	STANDARD

ALL FLANGE SCREWS ARE ONLY AVAILABLE IN +/- COMBINATION SCREW TYPES.

HOUSING CODE

CODE	COLOR	AVAILABILITY
1	GREEN(RAL 6018/T)	STANDARD
2	BLACK	ON REQUEST ONLY
3	GREY(RAL 7004/P)	ON REQUEST ONLY
4	BLUE(RAL 5015/A)	ON REQUEST ONLY

PROPERTY TABLE

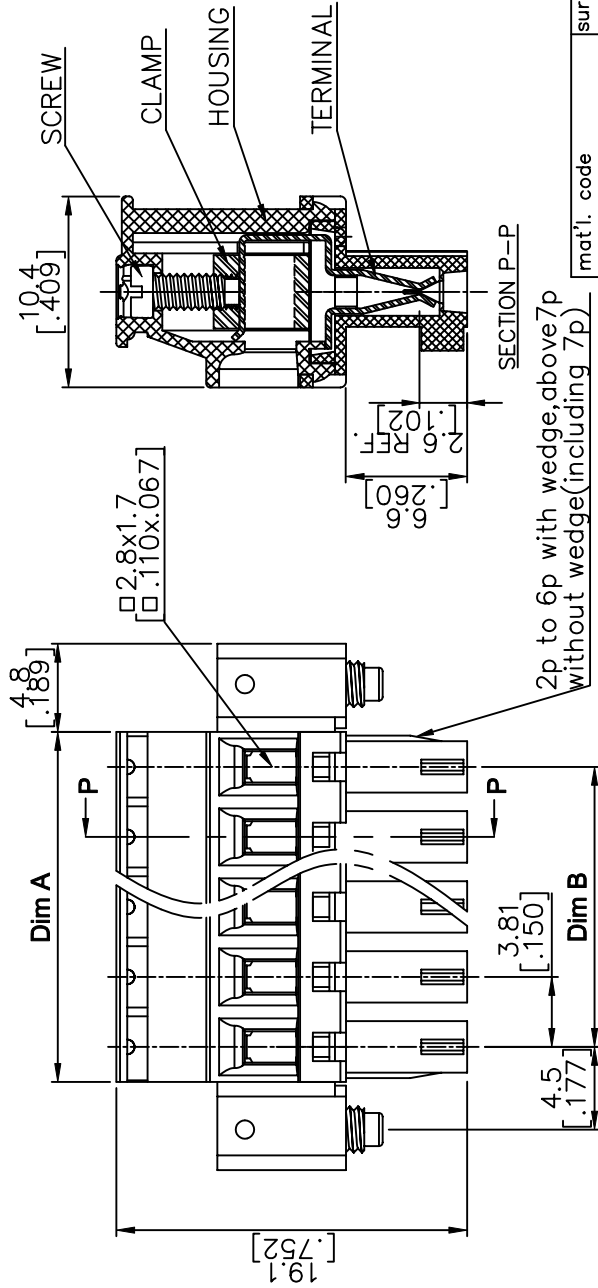
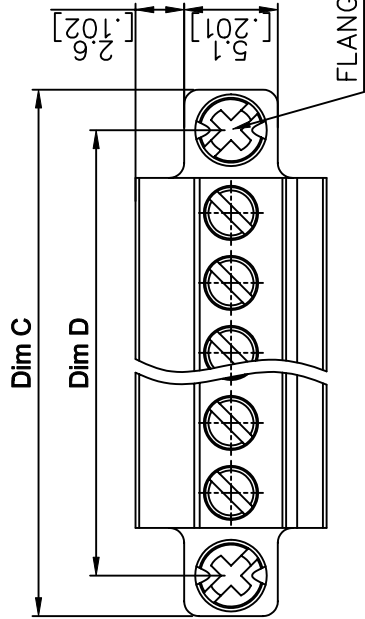
FCI SERIES NAME	02-350	02-381	02-500	02-508
PITCH (mm)	3.50	3.81	5.00	5.08
VOLTAGE RATING (VAC)	300	300	300	300
CURRENT RATING (A)	cJLus	8	12	12
	VDE	10	10	NA
APPLICABLE WIRE RANGE (AWG)	1-WIRE	16~28	12~24	12~24
	2-WIRE	20	18	18
WIRE CROSS SECTION (mm ²)	1-WIRE	1.5	2.5	2.5
	2-WIRE	0.5	1.0	1.0
	1-WIRE	1.5	2.5	2.5
	2-WIRE	0.75	1.5	1.5
OPENING CONTACT HOUSING(mm ²)	2.8x1.7	2.8x1.7	2.6x3.3	2.6x3.3
WIRE STRIP LENGTH(mm)	6~7	6~7	6~7	6~7
TORQUE +/-10% (N-m/Lb-in)	0.19/1.7	0.19/1.7	0.4/3.5	0.4/3.5
WITHSTANDING VOLTAGE (kV)	SCREW	M2x0.4	M3x0.5	M3x0.5
	cJLus	1.6	1.6	1.6
	VDE	2.5	2.5	NA
OPERATING TEMP. (°C)	-40~+115	-40~+115	-40~+115	-40~+115
POLES AVAILABLE	02~24	02~24	02~24	02~24
SAFETY CERTIFICATE				

NOTES:

1. MATERIALS
 - 1-1 HOUSING: THERMALPLASTIC RESIN, UL 94V-0 RATED.
 - 1-2 SCREW AND FLANGE SCREW: STEEL, ZINC PLATED.
 - 1-3 CLAMP: COPPER ALLOY, NICKEL PLATED.
 - 1-4 TERMINAL: COPPER ALLOY, TIN PLATED.
2. PRODUCT SPECIFICATION REFER TO FCI GS-12-625.
3. BOXED PACKAGING, DETAILED PRODUCT PACKING SPECIFICATION REFER TO FCI GS-14-1394.
4. FCI SAFETY CERTIFICATE LOGO AND SERIES NAME TO BE SHOWN ON PRODUCT SURFACE.
5. THE PRODUCTS WHERE THE PART NUMBER END IN "LF" MEET THE EUROPEAN UNION DIRECTIVE AND OTHER COUNTRY REGULATIONS AS DESCRIBED IN GS-22-008.

mat'l. code		surface	tolerance	projection	product family	TERMINAL BLOCK	
ltr	ecn no	dr	date	ASME Y14.5	ASME Y14.5	title	
A	T10-0062	WL	050710	tolerances unless otherwise specified		TERMINAL BLOCK	
B	T10-0127	WL	080910	X.X±0.5[.020]		PLUGGABLE PLUG, SIGNAL, ENTRIESIDE HOOK	
C	T10-0140	WL	090310	X.X±0.3[.012]		W/FLANGE	
D	T10-0155	WL	093010	X.XX±0.1[.004]	scale	dwg no	
E	T10-0187	WL	I21410	engr	WENDY CHEN	sheet 1 of 5 size	
F	T11-0013	WL	040811	chr	GARY HSIEH	20020009	
G	T-004860	WL	080411	appd	JOSEPH HSIA	A4	
sheet	revision	G	G	G	G	type	CUSTOMER Drawing
index	sheet	1	2	3	4	5	

PRODUCT NUMBER	SERIES NAME	PITCH
20020009-DXXXXXXLF	02-381	3.81 mm



N = Number of poles

Dim A	NX3.81[.150]
Dim B	(N-1)X3.81[.150]
Dim C	NX3.81[.150]+9.6[.378]
Dim D	(N-1)X3.81[.150]+9.0[.354]

Poles	Tolerance
2p-6p	±0.15[.006]
7p-12p	±0.20[.008]
13p-16p	±0.25[.100]
17p-24p	±0.30[.012]

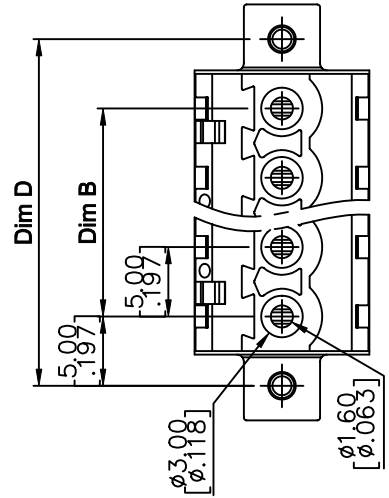
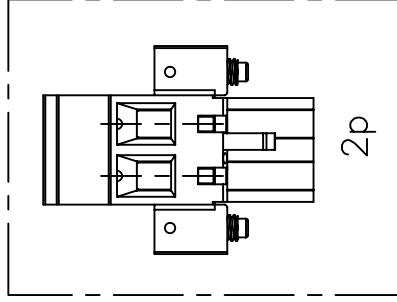
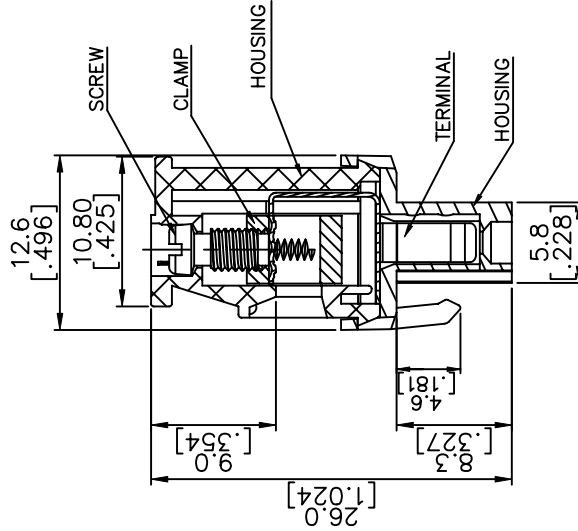
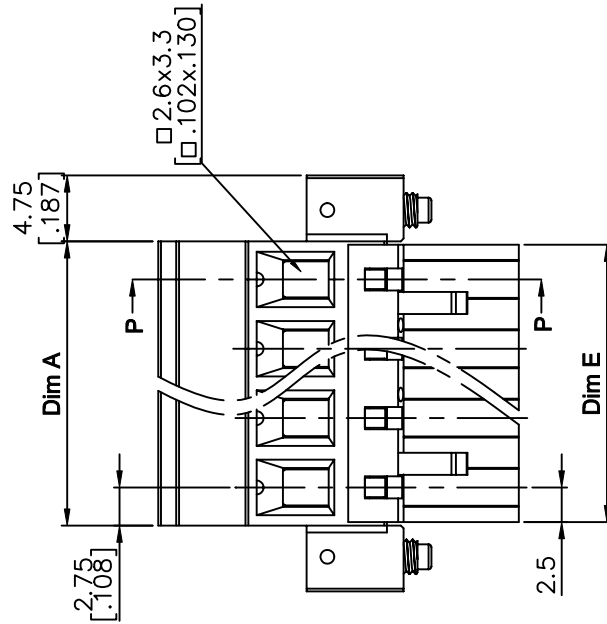
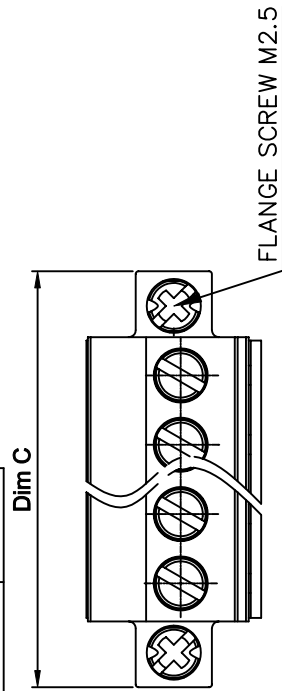
mat'l. code		surface	tolerance	projection	product family	TERMINAL BLOCK
itr		ASME Y14.5	ASME Y14.5	MM	title	TERMINAL BLOCK
ecn no		tolerances unless otherwise specified		[INCH]	TERMINAL BLOCK	PLUGGABLE PLUG, SIGNAL, ENTRYSIDE HOOK
dr		X.±0.5[.020]		scale	dwg no	sheet 3 of 5 size
date		X.X±0.3[.012]			20020009	A4
		X'±1'	X.XX±0.1[.004]		type	CUSTOMER Drawing
		dr	WENDY CHEN 042310			
		engr	JASON HSU 042310			
		chr	GARY HSIEH 042310			
		appd	JOSEPH HSIA 042310			
sheet		revision				
index		sheet				

PRODUCT NUMBER	SERIES NAME	PITCH
20020009-GXXXXXLFL	02-500	5.00 mm

N = Number of poles

Dim A	$N \times 5.0[.197] + 0.5[.020]$
Dim B	$(N-1) \times 5.0[.197]$
Dim C	$N \times 5.0[.197] + 10.0[.394]$
Dim D	$(N+1) \times 5.0[.197]$
Dim E	$N \times 5.0[.197]$

Poles	Tolerance
2p-6p	$\pm 0.15[.006]$
7p-12p	$\pm 0.25[.010]$
13p-18p	$\pm 0.30[.012]$
19p-24p	$\pm 0.40[.016]$



mat'l. code		surface	tolerance	projection	product family	TERMINAL BLOCK
itr		ASME Y14.5	ASME Y14.5	ϕ	title	
ecn no		tolerances unless otherwise specified			TERMINAL BLOCK	
dr		angles	X. \pm 0.5[.020]	MM	PLUGGABLE PLUG, SIGNAL, ENTRYSIDE HOOK	
date		X	X.X \pm 0.3[.012]	[INCH]	W/FLANGE	
		X \pm 1°	X.XX \pm 0.1[.004]	scale	dwg no	sheet 4 of 5 size
		dr	WENDY CHEN		20020009	A4
		engr	JASON HSU			
		chr	GARY HSIEH			
		appd	JOSEPH HSIA			
sheet		revision			type	CUSTOMER Drawing
index		sheet				

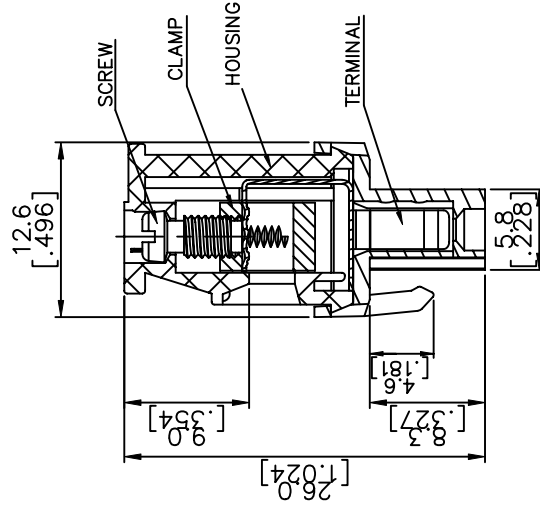
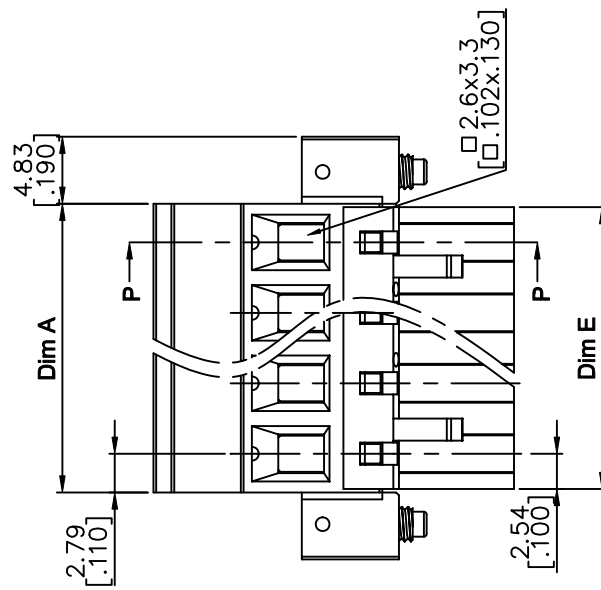
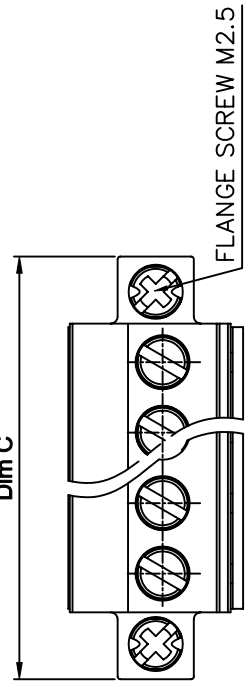


PRODUCT NUMBER	SERIES NAME	PITCH
20020009-HXXXXXLF	02-508	5.08 mm

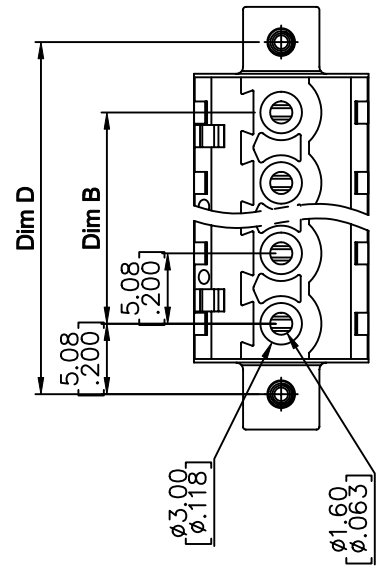
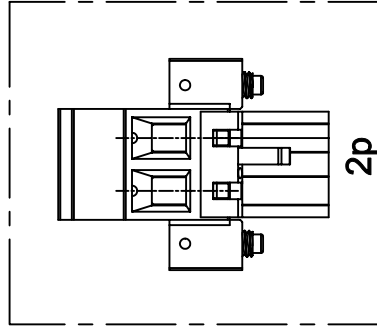
N = Number of poles

Dim A	$N \times 5.08 [.200] + 0.5 [.020]$
Dim B	$(N-1) \times 5.08 [.200]$
Dim C	$N \times 5.08 [.200] + 9.66 [.380]$
Dim D	$(N+1) \times 5.08 [.200]$
Dim E	$N \times 5.08 [.200]$

Poles	Tolerance
2p-6p	$\pm 0.15 [.006]$
7p-12p	$\pm 0.20 [.008]$
13p-18p	$\pm 0.30 [.012]$
19p-24p	$\pm 0.40 [.016]$



SECTION P-P



mat'l. code		surface	tolerance	projection	product family	TERMINAL BLOCK
ltr	ecn no	date	ASME Y14.5 tolerances unless otherwise specified	ϕ	title	
G			angles X.X±0.5 [.020] X.X±0.3 [.012] X.XX±0.1 [.004]	MM [INCH]	TERMINAL BLOCK PLUGGABLE PLUG, SIGNAL, ENTRYSIDE HOOK W/FLANGE	
			dr WENDY CHEN 042310	scale	dwg no	sheet 5 of 5 size
			enr JASON HSU 042310		20020009	A4
			chr GARY HSEH 042310			CUSTOMER Drawing
			appd JOSEPH HSIA 042310			
sheet	revision					
index	sheet					