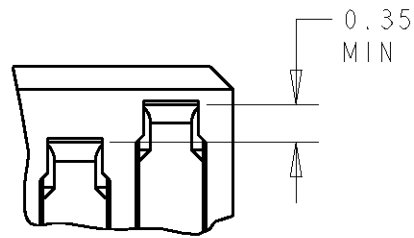
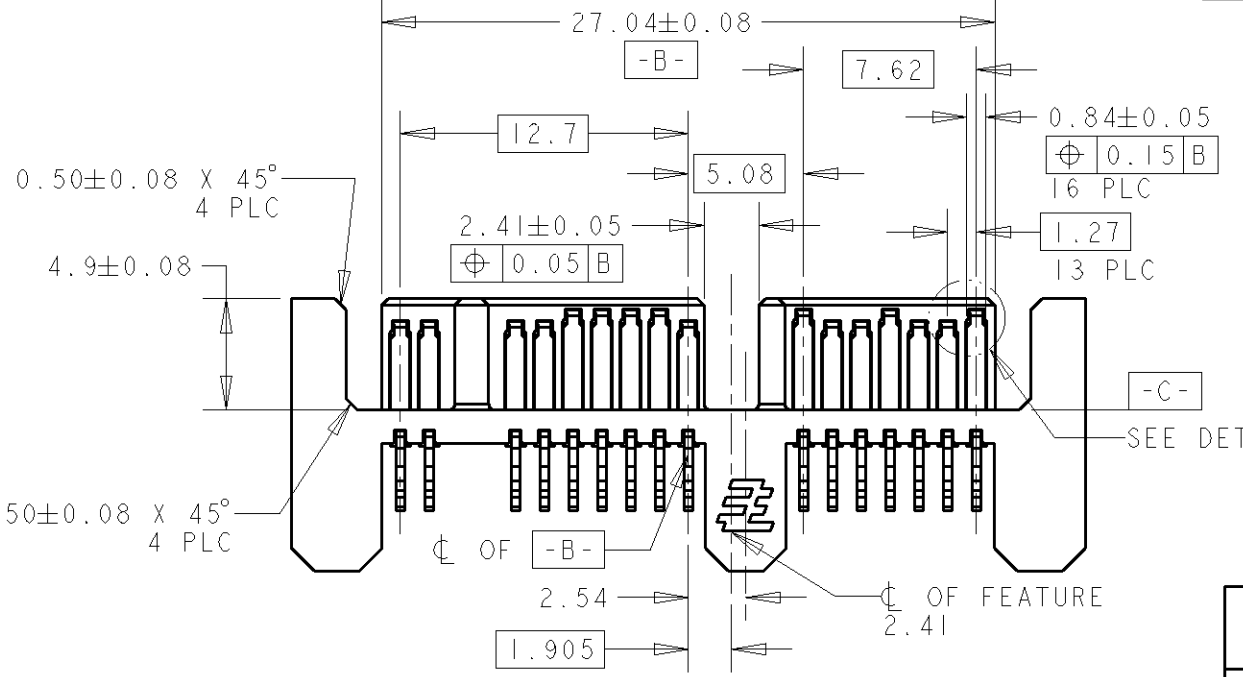
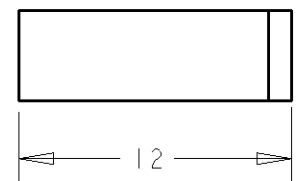
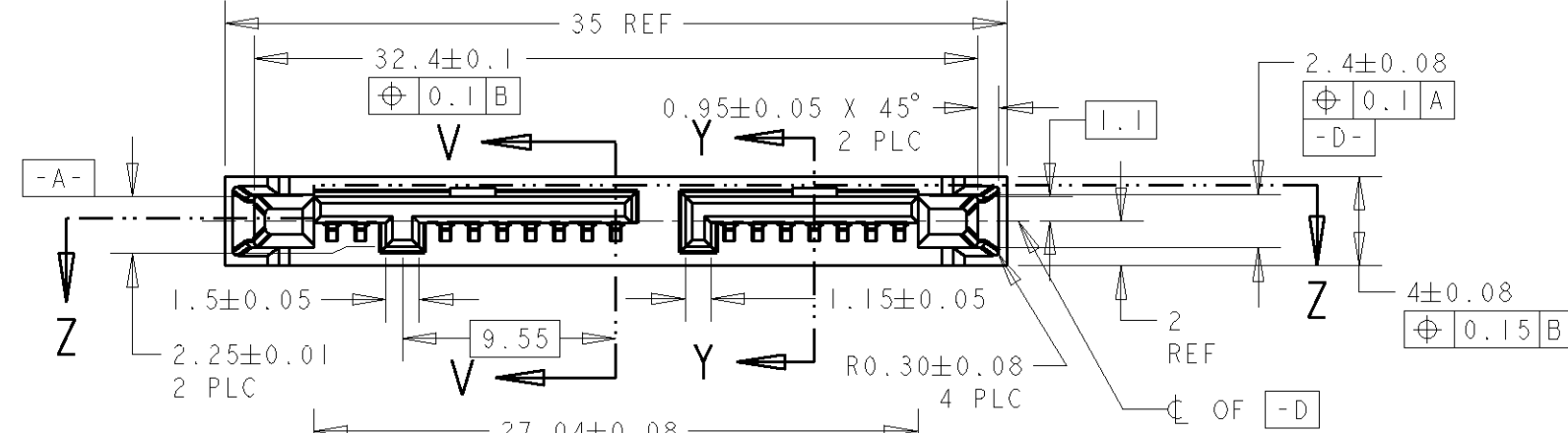
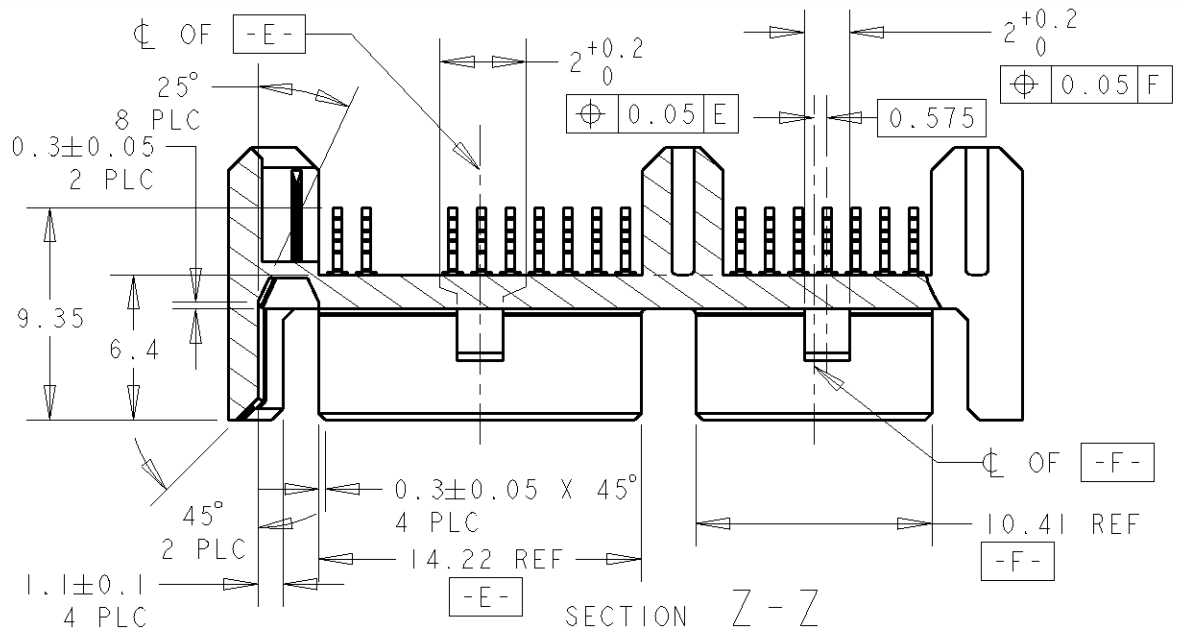
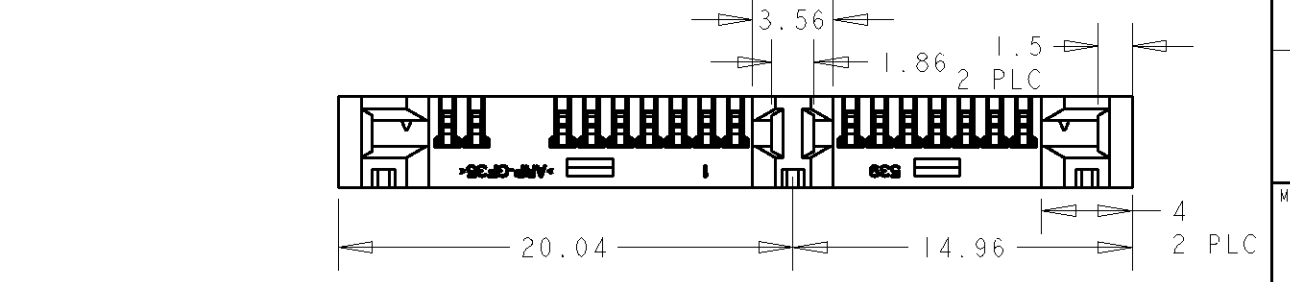


LOC		DIST		REVISIONS			
P	LTR	DESCRIPTION	DATE	DWN	APVD		
DY	-	A	NPR ECR-07-017845	03SEP2007	YKW	LSF	

NOTE:
 1 MATERIAL:
 HOUSING: HIGH TEMP THERMOPLASTIC, UL94 V-0, BLACK
 CONTACT: COPPER ALLOY
 2 FINISH:
 CONTACT: "A" MIN GOLD AT MATING AREA (SEE TABLE)
 AND 0.05µm MIN GOLD AT SOLDER TAIL AREA
 WITH 1.27µm MIN NICKEL UNDERPLATE ALL OVER.



DETAIL A
SCALE 10:1

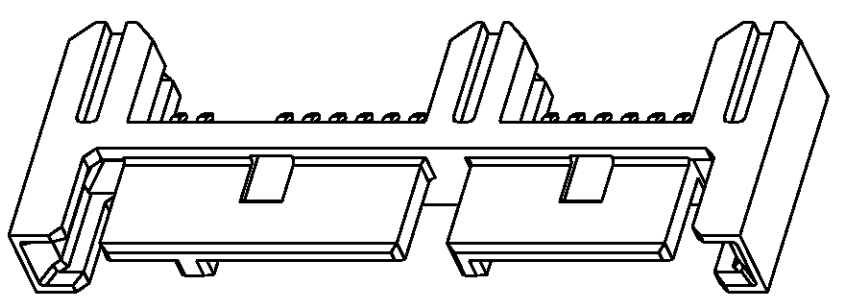
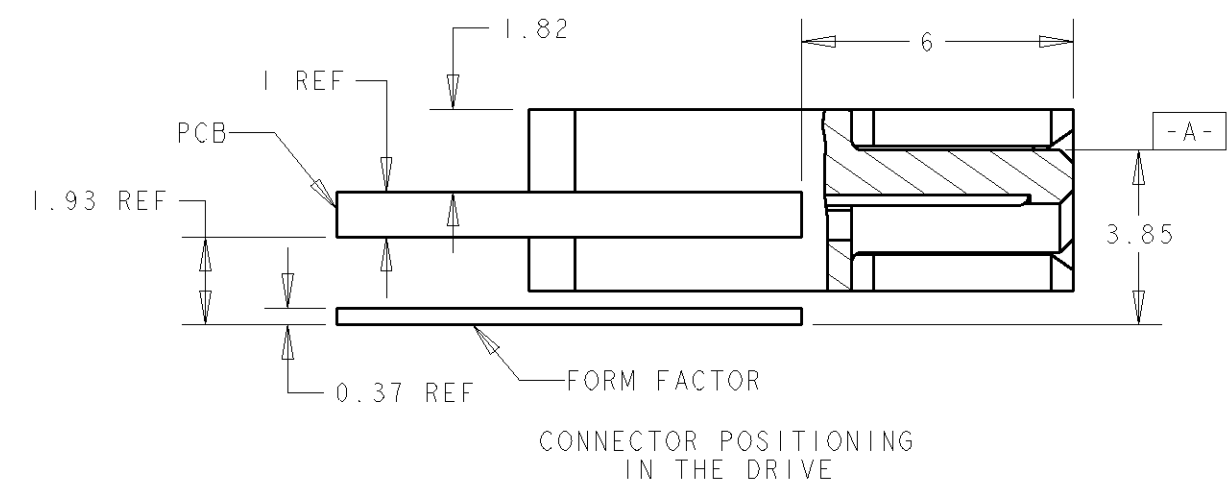
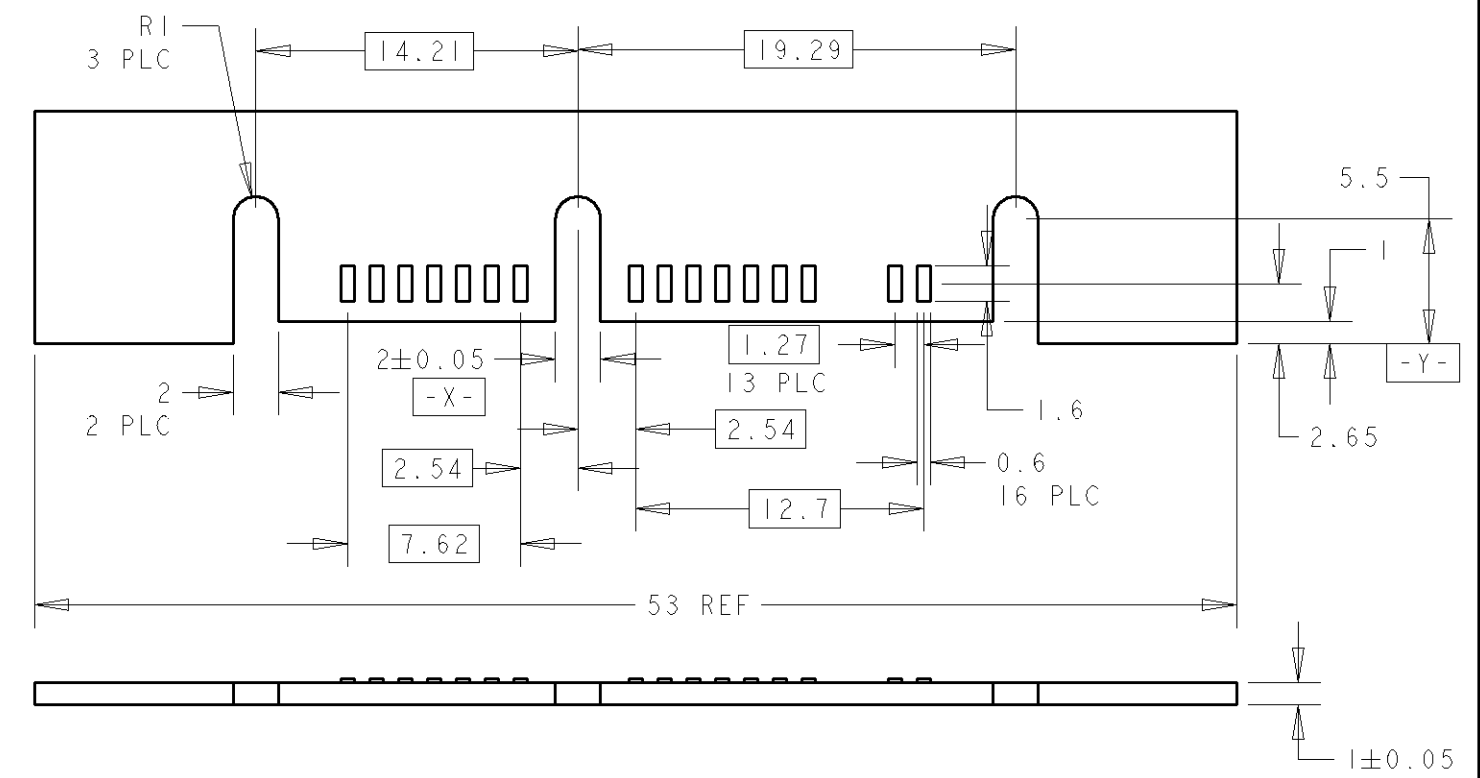
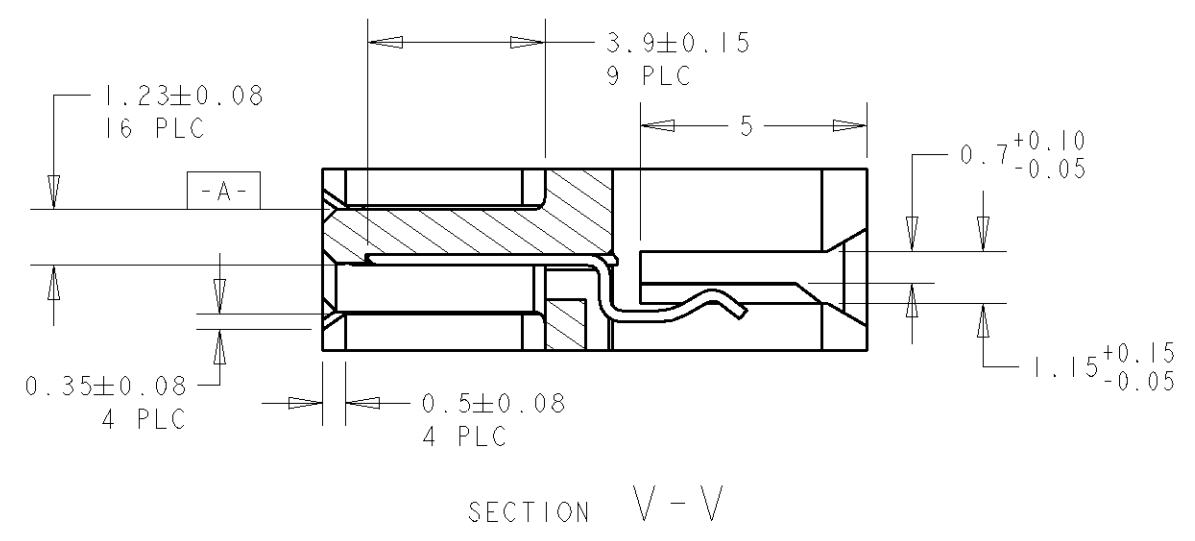
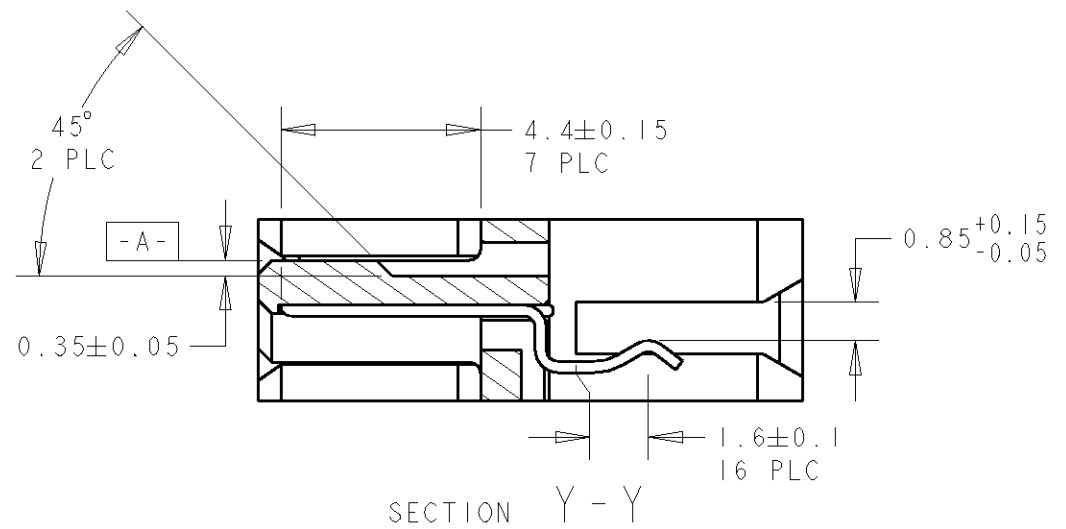


THIS DRAWING IS A CONTROLLED DOCUMENT FOR AMP INCORPORATED. IT IS SUBJECT TO CHANGE AND THE CONTROLLING ENGINEERING ORGANIZATION SHOULD BE CONTACTED FOR THE LATEST REVISION.		DWN KW YAP 03SEP2007	Tyco Electronics Singapore Pte. Ltd.	
DIMENSIONS: mm		CHK SF LEONG	NAME	
TOLERANCES UNLESS OTHERWISE SPECIFIED: 0 PLC ±0.20 1 PLC ±0.20 2 PLC ±0.20 3 PLC ±0.20 4 PLC ± ANGLES ±°		APVD SF LEONG	CONNECTOR, MICRO SATA PLUG, 7P+9P STRADDLE MOUNT	
MATERIAL		PRODUCT SPEC 108-51089	SIZE A3	CAGE CODE 00779
FINISH		APPLICATION SPEC -	DRAWING NO 1735443	SCALE 1:1
1		WEIGHT -	SHEET 1 OF 2	
2		CUSTOMER DRAWING		REV A

0.76µm	1735443-3
0.38µm	1735443-2
0.05µm	1735443-1
"A"	PART NO.

THIS DRAWING IS UNPUBLISHED. RELEASED FOR PUBLICATION .19 .
 © COPYRIGHT 19 BY AMP INCORPORATED. ALL RIGHTS RESERVED.

LOC	DIST	REVISIONS			
P	LTR	DESCRIPTION	DATE	DWN	APVD
DY	-	SEE SHEET 1			



THIS DRAWING IS A CONTROLLED DOCUMENT FOR AMP INCORPORATED. IT IS SUBJECT TO CHANGE AND THE CONTROLLING ENGINEERING ORGANIZATION SHOULD BE CONTACTED FOR THE LATEST REVISION.		DWN KW YAP 23MAY2007	Tyco Electronics Singapore Pte. Ltd.	
DIMENSIONS: mm		CHK SF LEONG	NAME	
TOLERANCES UNLESS OTHERWISE SPECIFIED:		APVD SF LEONG	CONNECTOR, MICRO SATA PLUG, 7P+9P STRADDLE MOUNT	
0 PLC ±0.20		PRODUCT SPEC 108-51089	SIZE A3	DRAWING NO 1735443
1 PLC ±0.20		APPLICATION SPEC -	CAGE CODE 00779	SCALE 1:1
2 PLC ±0.20		MATERIAL	SHEET 2 OF 2	
3 PLC ±0.20		FINISH	REV A	
4 PLC ±		WEIGHT -		
ANGLES ±°		CUSTOMER DRAWING		

Mouser Electronics

Authorized Distributor

Click to View Pricing, Inventory, Delivery & Lifecycle Information:

[TE Connectivity:](#)

[1735443-2](#)