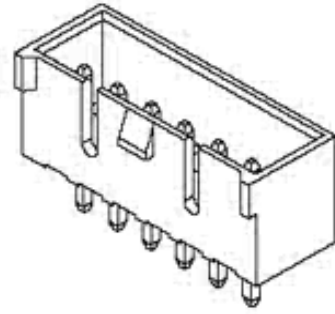


Part Number : [353120660](#)
Series Number : 35312
Status : Active - Proprietary
Product Category : PCB Headers and Receptacles



Drawings

[353120660 sd.pdf](#)

[353120660 stp.zip](#)

[Symbol and Footprint \(Multi-Format\)](#)

Specifications


[PK-35312-013-001.pdf](#)

[PK-35312-014-001.pdf](#)

[PS-35155-002-001.pdf](#)

Product Environment Compliance

Compliance

GADSL/IMDS	Compliant with Exemption 44
China RoHS	 per SJ/T 11365-2006
EU ELV	Not Relevant
Low-Halogen Status	Not Low-Halogen per IEC 61249-2-21
REACH SVHC	Not Contained per D(2025)4165-DC (25 June 2025)
EU RoHS	Compliant per EU 2015/863

Compliance Statements

- EU RoHS
- REACH SVHC
- Low-Halogen

Industry Documents

- IPC 1752A Class C
- IPC 1752A Class D

- Molex Product Compliance Declaration
- IEC-62474
- chemSHERPA (xml)

Substances of Interest

- PFAS

EU RoHS Certificate of Compliance

Additional Product Compliance Information

Part Details

General

Status	Active - Proprietary
Category	PCB Headers and Receptacles
Series	35312
Description	2.50mm Pitch Header, Vertical, Shrouded, with Positive Lock, 6 Circuits, PA Polyamide (Nylon) 6/6, Glass-filled, Natural
Application	Signal, Wire-to-Board
Component Type	PCB Header
Product Name	N/A
UPC	822348748020

Agency

CSA	LR19980
UL	E29179

Electrical

Current - Maximum per Contact	3.0A
Voltage - Maximum	250V

Physical

Breakaway	No
Circuits (Loaded)	6
Circuits (maximum)	6
Color - Resin	Natural
Durability (mating cycles max)	30

First Mate / Last Break	No
Flammability	94V-0
Glow-Wire Capable	No
Guide to Mating Part	No
Keying to Mating Part	None
Lock to Mating Part	Yes
Material - Plating Mating	Tin
Material - Plating Termination	Tin
Material - Resin	Nylon
Net Weight	0.606/g
Number of Rows	1
Orientation	Vertical
Packaging Type	Bag
PCB Locator	No
PCB Retention	None
PCB Thickness - Recommended	1.60mm
PC Tail Length	3.40mm
Pitch - Mating Interface	2.50mm
Pitch - Termination Interface	2.50mm
Plating min - Mating	5.080µm
Plating min - Termination	5.080µm
Polarized to PCB	No
Shrouded	Partial
Stackable	No
Temperature Range - Operating	-40° to +105°C
Termination Interface Style	Through Hole

Mates With / Use With

Mates with Part(s)

Description	Part Number
2.50mm Pitch Wire-to-Board Housings	<u>35155</u>