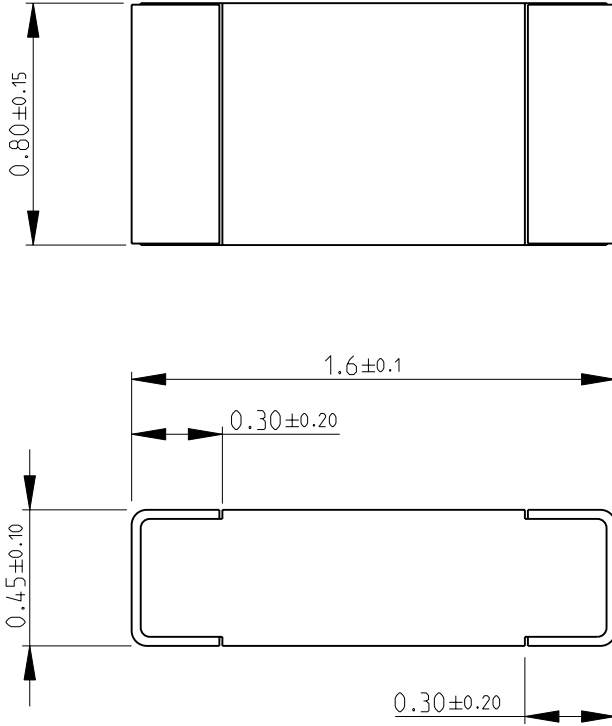
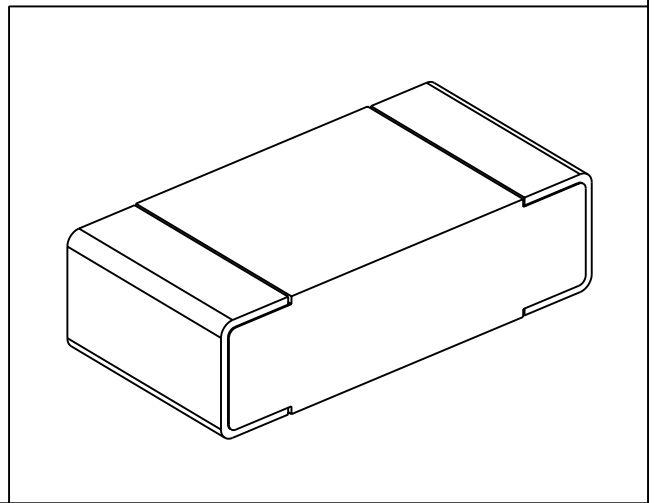


LOC	DIST	REVISIONS					
E	B	P	LTR	DESCRIPTION	DATE	DWN	APVD
			BA	NEW RELEASE	06-0ct-08	SM	St.P

FOR FURTHER INFORMATION SEE DATA SHEET FOR
CRG SERIES-THICK FILM CHIP RESISTORS



RoHS Compliant



2008

RELEASED FOR PUBLICATION

THIS DRAWING IS UNPUBLISHED.

BY TYCO ELECTRONICS CORPORATION. ALL RIGHTS RESERVED.



DIMENSIONS: mm	DWN	SUBHASH.M	06-0ct-08	MATERIAL	-	FINISH	-	
	CHK	PRAKASH.S	06-0ct-08	Tyco Electronics Corporation Dorcan, Swindon, SN3 5HH				
TOLERANCES UNLESS OTHERWISE SPECIFIED:	APVD	STEPHEN.P	06-0ct-08					
0 PLC ± 0.5	PRODUCT SPEC	NAME THICK FILM CHIP RESISTORS SERIES CRG 0603						
1 PLC ± 0.2	APPLICATION SPEC							
2 PLC ± 0.1	WEIGHT	-	SIZE	CAGE CODE	DRAWING NO	RESTRICTED TO		
3 PLC $\pm -$			A 4	00779	© = 1622829	-		
4 PLC $\pm -$			CUSTOMER DRAWING				SCALE	40:1
ANGLES $\pm 5^\circ$							SHEET	1 OF 1
							REV	BA

Mouser Electronics

Authorized Distributor

Click to View Pricing, Inventory, Delivery & Lifecycle Information:

[TE Connectivity:](#)

[1622829-1](#)