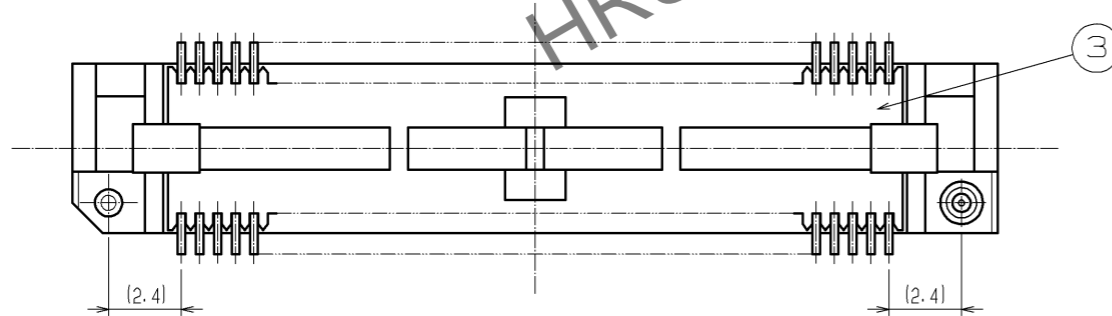
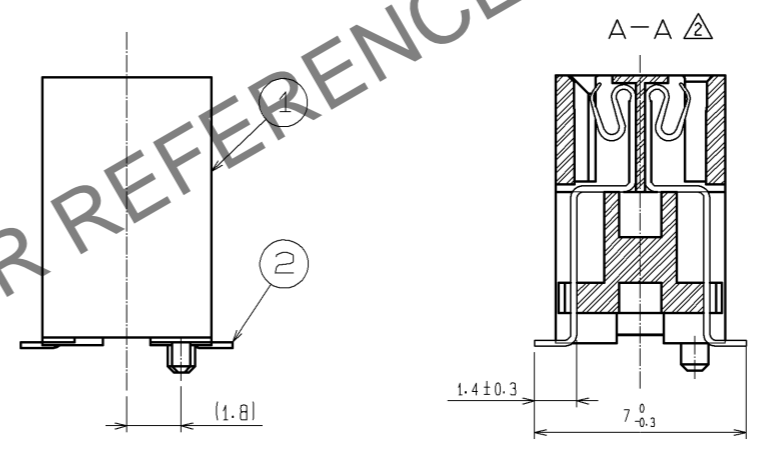
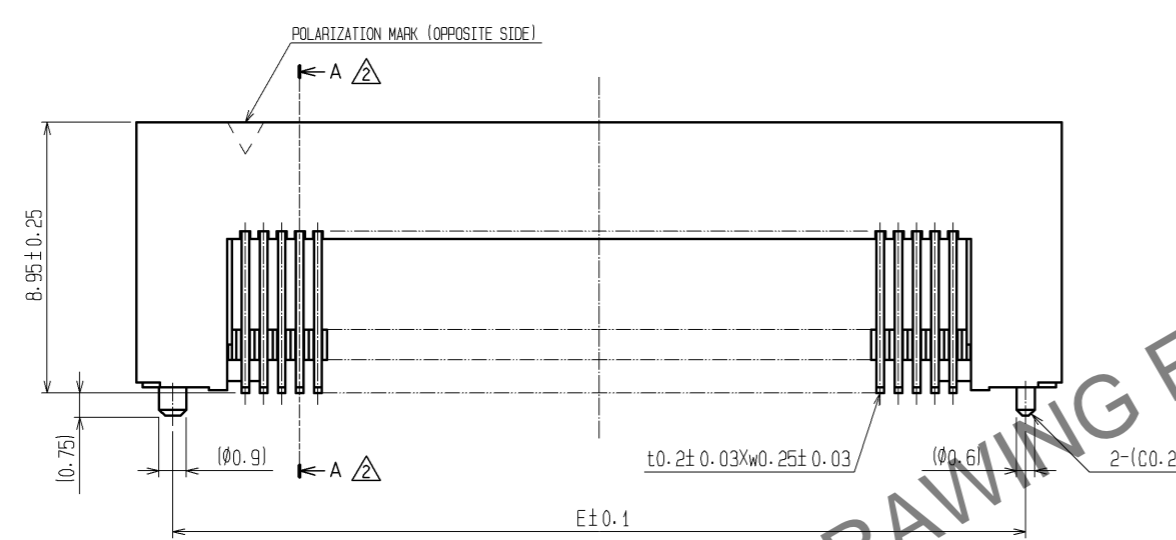
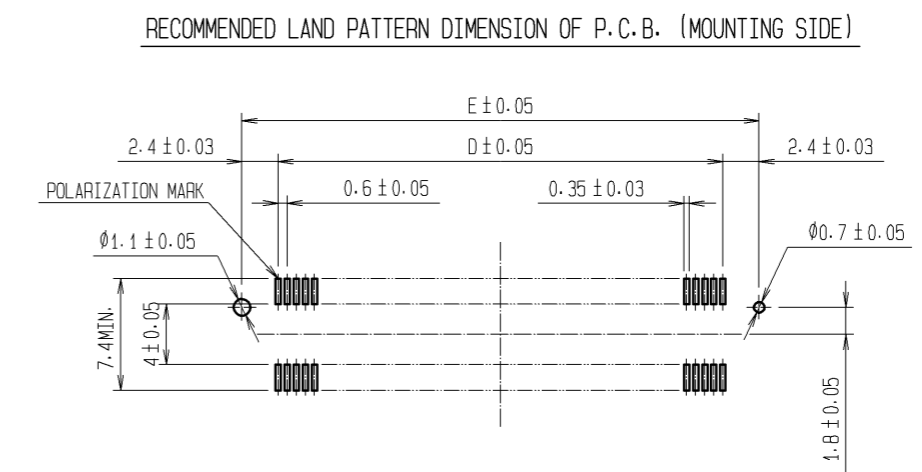
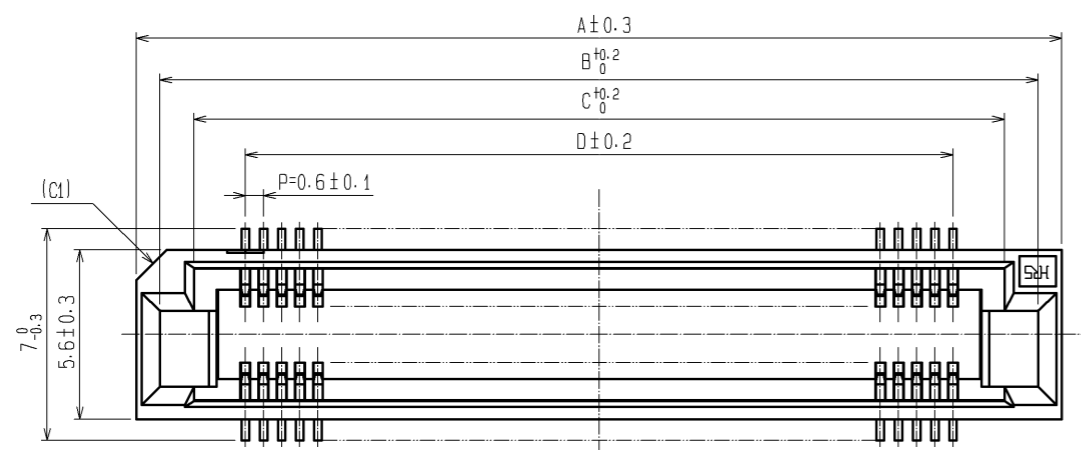


Mar.1.2026 Copyright 2026 HIROSE ELECTRIC CO., LTD. All Rights Reserved.
In case of consideration for using Automotive equipment / device which demand high reliability, kindly contact our sales window correspondents.



- NOTE 1. LEAD CO-PLANARITY SHALL BE 0.1mm MAX.
 2. EMBOSSED CARRIER TAPE PACKAGING SHALL BE APPLIED TO THIS PRODUCT. SEE NEXT PAGE FOR DETAILS.
 3. THIS PRODUCT HAS TAPE FOR VACUUM PICKUP. SEE NEXT PAGE FOR DETAIL OF STICKING POSITION, ETC.
 4. FOR MODIFICATION, ETC. PREVENTIVE HOLE FOR SINK MARK MAY BE ADDED ACCORDING TO CIRCUMSTANCES.
 5. THE DIMENSIONS IN PARENTHESES ARE FOR REFERENCE.
 6 NUMBER OF CONTACTS.
 7 EXISTENCE
 X: PRODUCED, -: NO PRODUCED

DIMENSION TABLE OF CONNECTOR AND P.C.B. LAND PATTERN.

PART No.	CODE No.	6	7	A	B	C	D	E
FX8C-60S-SV5(93)	CL578-0821-0-93	60	X	24.60	23.05	20.80	17.40	22.20
FX8C-80S-SV5(93)	CL578-0823-5-93	80	X	30.60	29.05	26.80	23.40	28.20
FX8C-100S-SV5(93)	CL578-0825-0-93	100	X	36.60	35.05	32.80	29.40	34.20
FX8C-120S-SV5(93)	CL578-0826-3-93	120	-	42.60	41.05	38.80	35.40	40.20
FX8C-140S-SV5(93)	CL578-0827-6-93	140	X	48.60	47.05	44.80	41.40	46.20

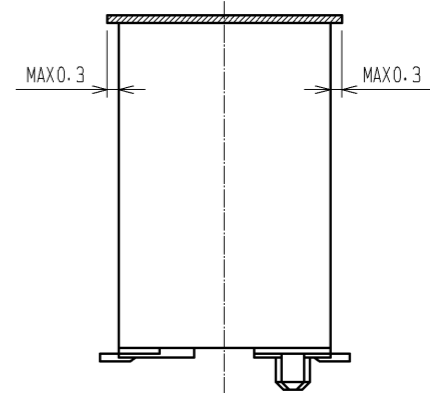
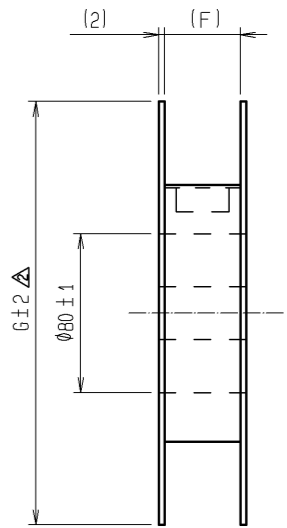
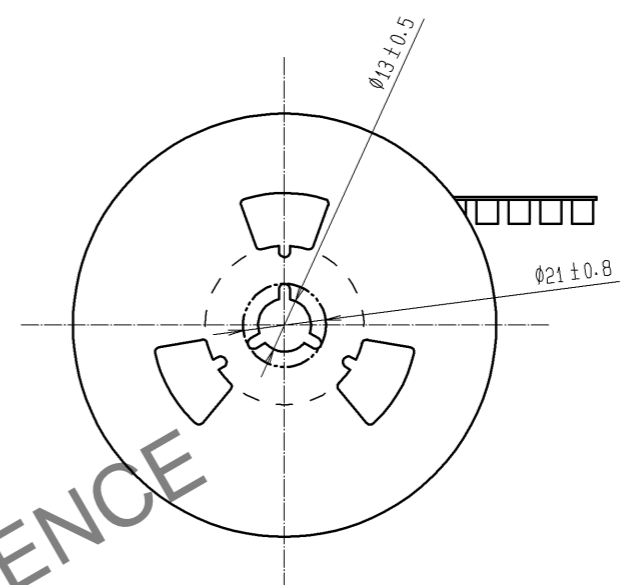
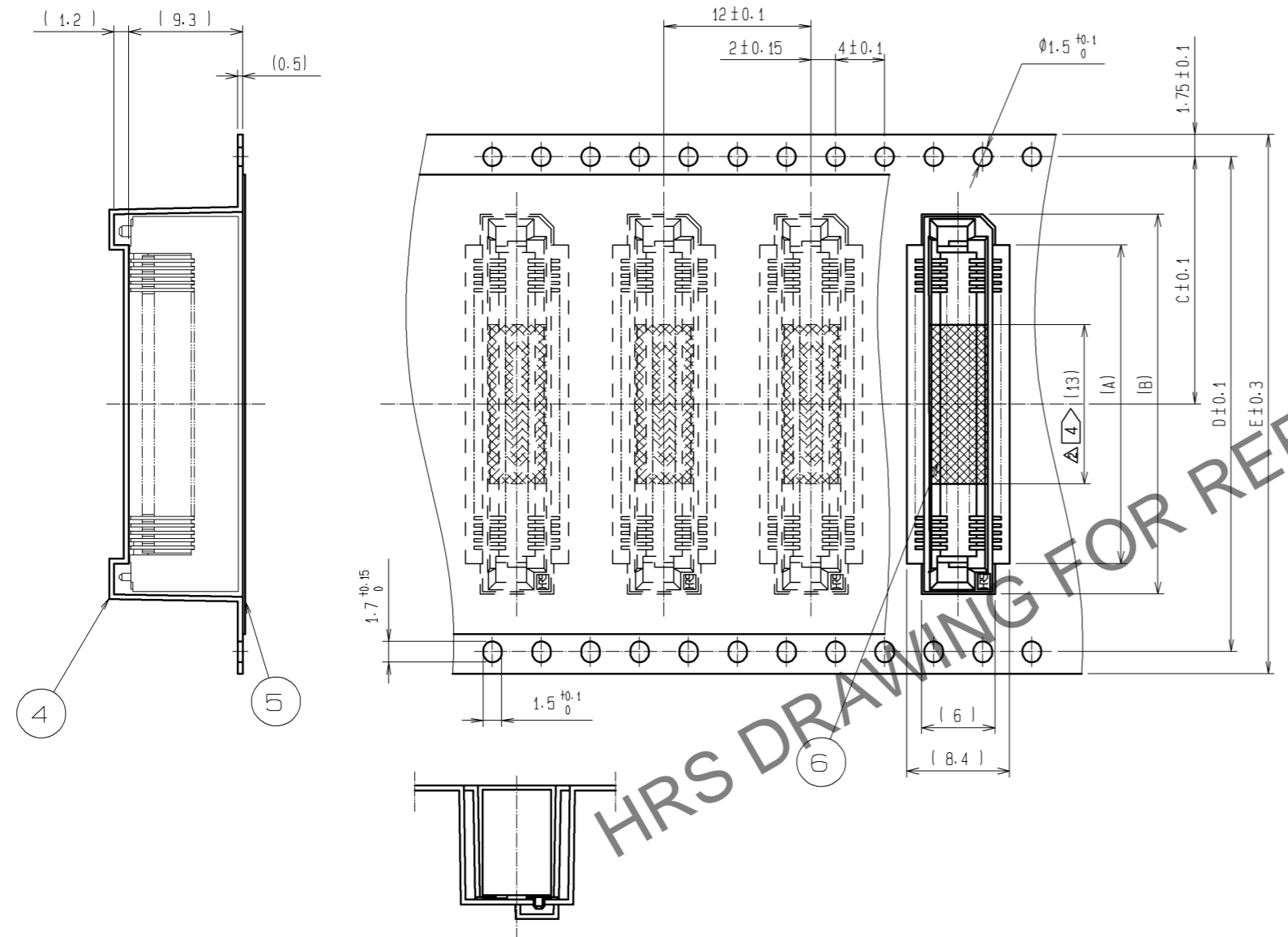
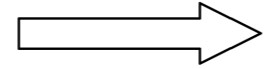
2	PHOSPHOR BRONZE	CONTACT AREA: GOLD 0.1µm min.	6	POLYIMIDE	(TAPE FOR VACUUM PICKUP)		
		LEAD AREA: TIN-PLATING 1µm min.		5	POLYESTER	(TOP COVER TAPE)	
		UNDER PLATING: NICKEL 1µm min.		4	PS	(EMBOSSED CARRIER TAPE)	
1, 3	PPS	LIGHT BROWN (UL94V-0)					
NO.	MATERIAL	FINISH, REMARKS	NO.	MATERIAL	FINISH, REMARKS		
UNITS mm	SCALE FREE	COUNT 8	DESCRIPTION OF REVISIONS DIS-F-002261		DESIGNED TS. MIYAKI	CHECKED HS. OZAWA	DATE 07.08.04
APPROVED: YK. YOSHIMURA 03.02.19		DRAWING NO. EDC3-151023-23					
CHECED: HS. OKAWA 03.02.18		PART NO. FX8C-*S-SV5(93)					
DESIGNED: KY. NAKAMURA 03.02.17		CODE NO. CL578					
DRAWN: SK. SUZUKI 03.02.07							

Mar.1.2026 Copyright 2026 HIROSE ELECTRIC CO., LTD. All Rights Reserved.
 In case of consideration for using Automotive equipment / device which demand high reliability, kindly contact our sales window correspondents.

DRAWING FOR PACKING (FREE)

REEL DIMENSION

UNREELING DIRECTION



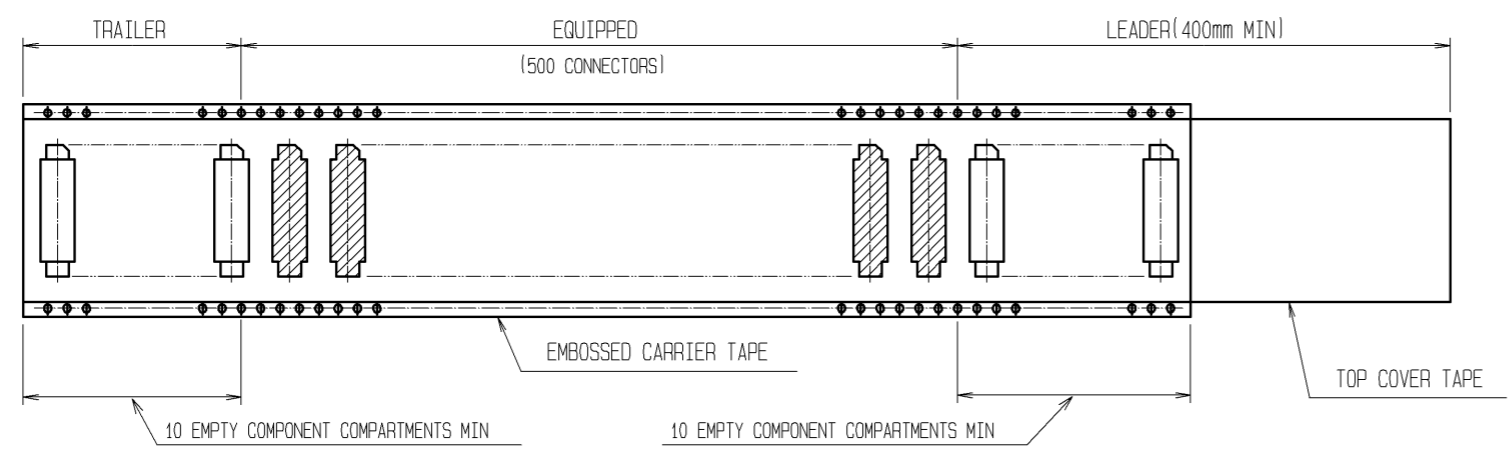
DETAIL OF TAPE FOR VACUUM PICKUP

HRS DRAWING FOR REFERENCE

△△ DIMENSION TABLE OF EMBOSSED CARRIER TAPE AND REEL.

PART No.	CODE No.	(2)	(3)	A	B	C	D	E	F	G
FX8C- 60S-SV5(93)	CL578-0821-0-93	60	×	20	25	20.2	40.4	44	44.4	Ø370
FX8C- 80S-SV5(93)	CL578-0823-5-93	80	×	26	31	20.2	40.4	44	44.4	Ø370
FX8C-100S-SV5(93)	CL578-0825-0-93	100	×	32	37	26.2	52.4	56	56.4	Ø370
FX8C-120S-SV5(93)	CL578-0826-3-93	120	-	38	43	26.2	52.4	56	56.4	Ø380
FX8C-140S-SV5(93)	CL578-0827-6-93	140	×	44	49	34.2	68.4	72	72.4	Ø380

- NOTE
- 1 1 REEL : 500 CONNECTORS
 - (2) NUMBER OF CONTACTS
 - (3) EXISTENCE
 - X:PRODUCED, -:NO PRODUCED
 - (4) REMOVE THE VACUUM PICKUP TAPE AFTER MOUNTING THE CONNECTOR. △
 - 5 THE DIMENSIONS IN PARENTHESES ARE FOR REFERENCE. △



HRS	DRAWING NO.	EDC3-151023-23
	PART NO.	FX8C-*S-SV5(93)
	CODE NO.	CL578
		△ 2/2