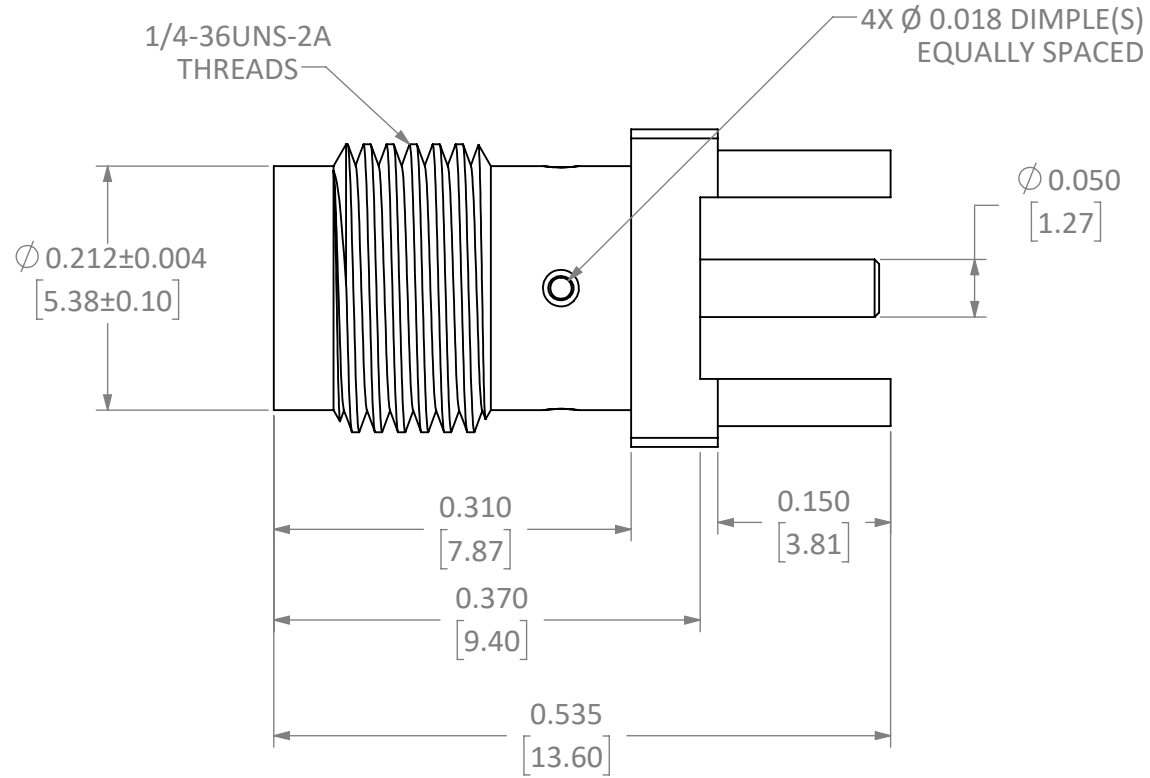
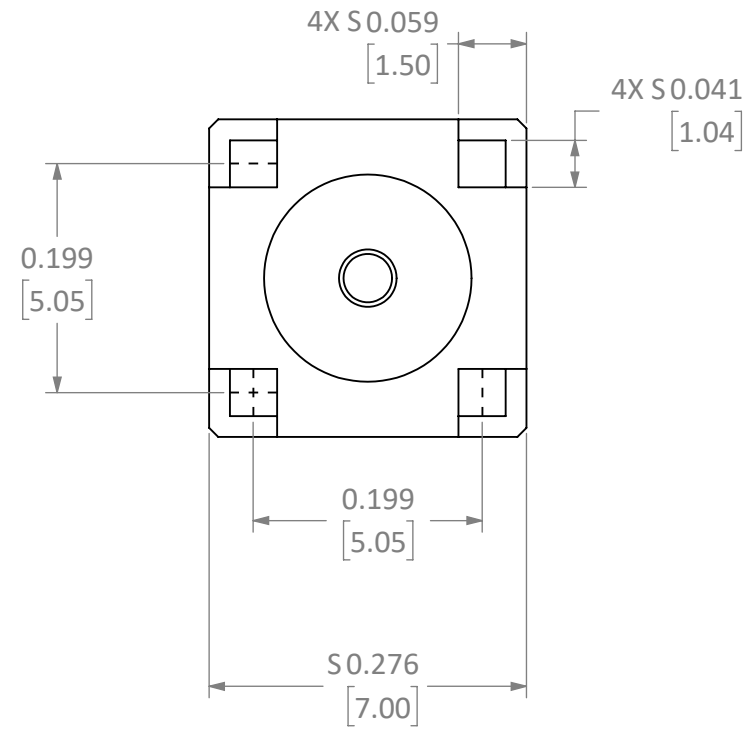


DESCRIPTION	MATERIAL	FINISH
BODY	BRASS	GOLD
SOCKET	BeCu	GOLD
INSULATION	PTFE	N/A

REVISIONS			
REV	DESCRIPTION	DATE	APPV
A	INITIAL RELEASE OF LINX INTERNAL DRAWING	11-JUN-13	SAH
B	ADDED OUTER BARREL DIMENSION; UPDATED NOTE 3	29-NOV-17	CLL



SIDE VIEW



BACK VIEW

NOTES: (UNLESS OTHERWISE SPECIFIED)

- ALL DIMENSIONS ARE IN INCHES [mm].
- DIMENSIONS APPLY AFTER FINISHING.
- MANUFACTURE TO BE COMPLIANT WITH EU RoHS DIRECTIVE, USE MATERIALS THAT DO NOT CONTAIN REACH SUBSTANCES OF VERY HIGH CONCERN >1000ppm, AND USE DRC CONFLICT-FREE SOURCED MATERIALS.
- SAFETY BREAK ALL SHARP CORNERS AND EDGES .02 MAXIMUM.
- LOT SAMPLE ELECTRICAL TEST REQUIRED PER *LDC-OTP-SPC-SMAT*.
- ELECTRICAL INTERFACE PER *SPC-CON-IFC-SMA*.
- INSERTION LOSS (S21):  $[0.03\sqrt{f}[\text{GHz}]]$   
0.020 @ 425MHz  
0.028 @ 900MHz  
0.047 @ 2.45GHz.
- MINIMUM FREQUENCY RANGE: 0 - 6GHz.
- IMPEDANCE: 50Ω.
- VOLTAGE RATING: 335 VRMS MIN AT SEA LEVEL.
- DIELECTRIC WITHSTANDING VOLTAGE: 1000 VMRS MIN AT SEA LEVEL.
- CONTACT RESISTANCE: CENTER CONTACT: 2.0 mΩ  
BODY: 2.0 mΩ.
- CONNECTOR TO BE DIMPLED ON FOUR SIDES 90° APART, DEEP ENOUGH TO SUFFICIENTLY RETAIN PTFE INSULATION.

**WARNING:** THIS DRAWING CONTAINS PROPRIETARY INFORMATION THAT IS THE SOLE PROPERTY OF LINX TECHNOLOGIES, AND SHALL BE TREATED AS SUCH. NO DISCLOSURE OR REPRODUCTION OF THIS DOCUMENT IS PERMITTED, IN WHOLE OR IN PART, WITHOUT THE EXPRESS WRITTEN PERMISSION OF LINX TECHNOLOGIES OR ITS DESIGNATED AGENTS.

**STE** 159 ORT LANE  
connectivity MERLIN, OR 97532

MATERIAL:	INTERPRET DIMENSIONS AND TOLERANCES PER ASME Y14.5.	PROJECTION:	TITLE:
WEIGHT:	.X ±.2 .XX ±.10 .XXX ±.050	ANGLES: ±1° SURFACE: ✓	SPECIFICATION DRAWING SMA FEMALE PCB MOUNT
FINISH:	DRAWN: B.MURPHY ENGR: S.HOGAN	DT: 2-APR-13 DT: 11-JUN-13	SIZE DWG. NO. <b>B</b> C-CON SMA001-G
		SCALE: 6:1	DO NOT SCALE DRAWING
			SHEET 1 OF 1

# Mouser Electronics

Authorized Distributor

Click to View Pricing, Inventory, Delivery & Lifecycle Information:

[TE Connectivity:](#)

[CONSMA001-SMD](#)