



SCHROFF

Project - 0 Item(s)

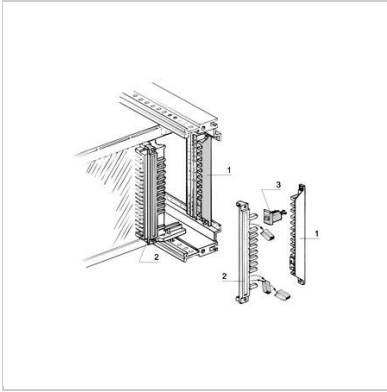
MY PROJECT LIST

- PRODUCTS
- APPLICATIONS
- INDUSTRIES
- NEW PRODUCTS
- CONFIGURATORS
- Products ▾
- Search
-

Home > Coding Peg



Coding Peg



Catalog Number: 20800-078

[Back To Product](#)

- Coding Peg item 3 in diagram
- 924 keying/coding possibilities if 6 keying/coding pins are used



Select product specifications before modifying or adding to project list or requesting a quote.

[Clear Selection](#)

Quantity

Add Item to Project List +

Technical Data

Description	Keying/coding pegs (keying/coding strips), PBTP, UL 94 V-0
Qty	PU 100 pieces

<p>EXPLORE</p> <ul style="list-style-type: none"> About Us Services & Capabilities News & Events Newsletter Subscriptions Strategic Partnerships Investor Relations 	<p>CONTACT</p> <ul style="list-style-type: none"> Customer Service Find a Sales Office or Distributor Global Locations Product Compliance & Certifications Partner Login 	<p>DOWNLOAD</p> <ul style="list-style-type: none"> Download Center Reference Projects Videos Product Configurators Warranties and Terms of Sale & Procurement
--	--	---

© 2018 nVent. All rights reserved | [Privacy Policy](#) | [Terms of Use](#) | [Cookie Policy](#) | [Imprint](#) | [Site Map](#)

Connect With Us

