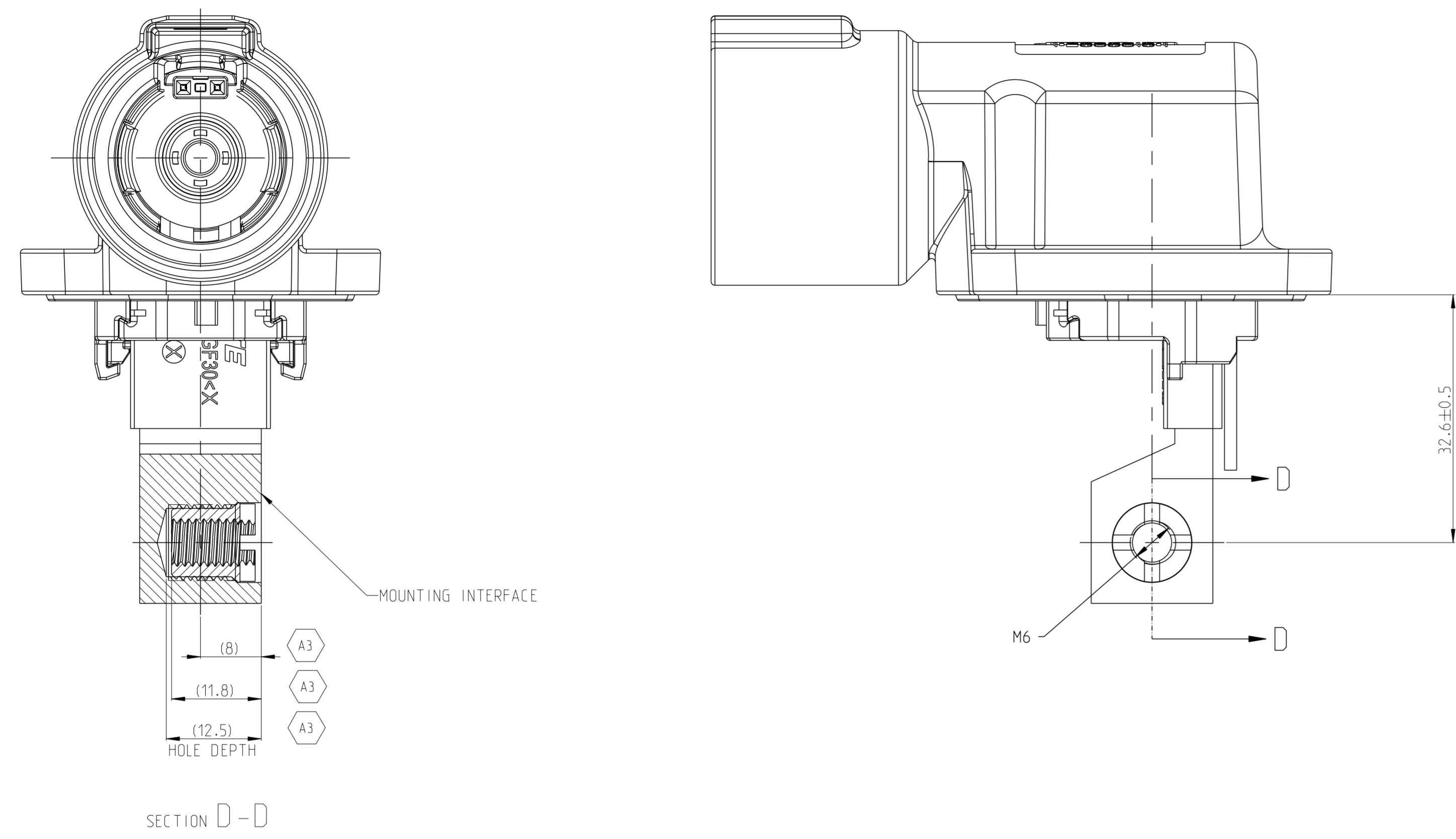
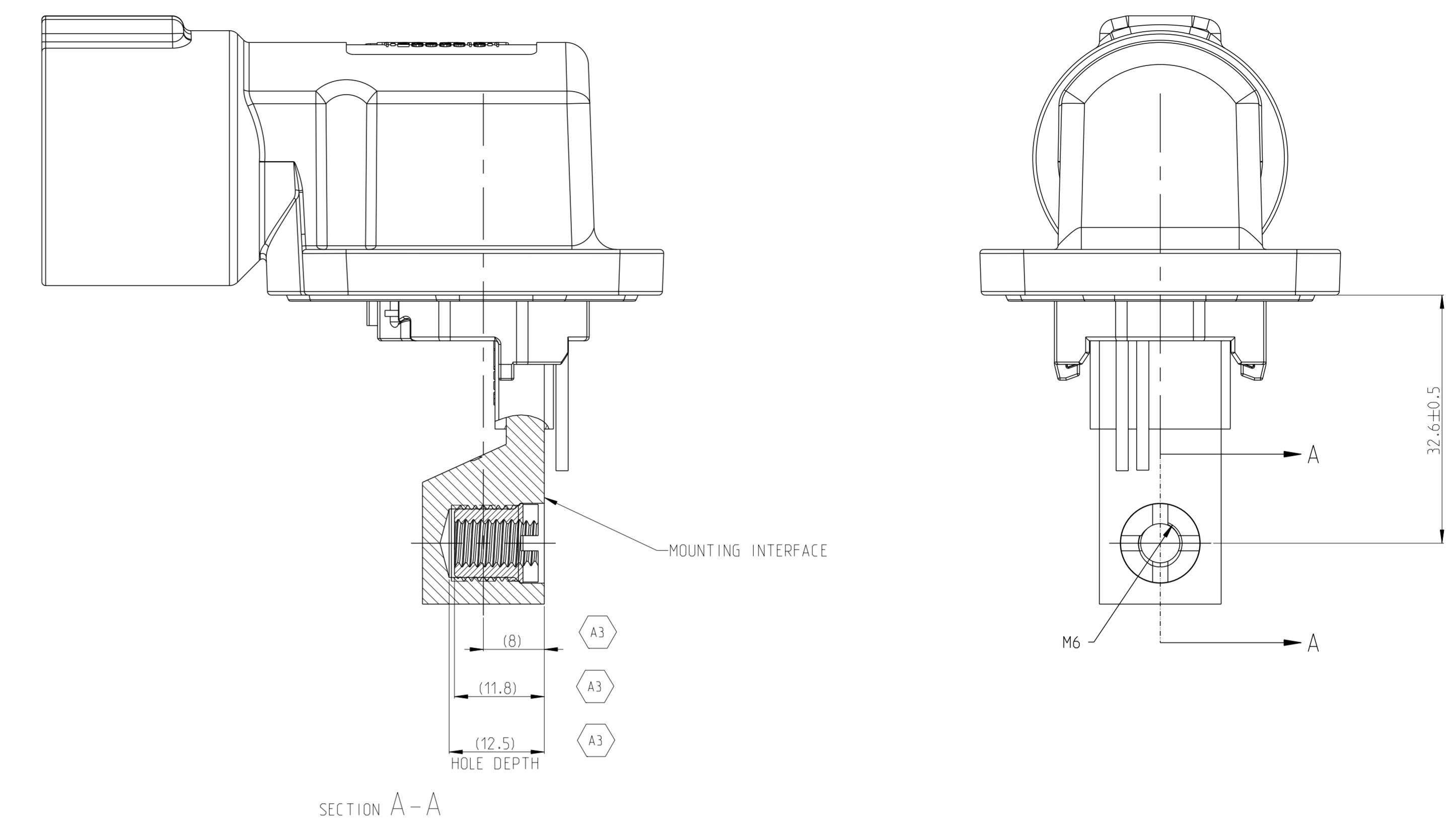


REVISIONS			
REV	DATE	BY	APPD
1			
SEE SHEET 1			



1.MISSING DIMENSION REFER TO 2394070-1

TE-ASSY-NO.	CODE	DESCRIPTION	DESCRIPTION	CODE	MATERIAL	SURFACE COLOR	WEIGHT (g)	QTY	ITEM
3-2394070-3	M	1POS.PIN DIA 10.0 HDR ASSY.90DEG	CODE HOUSING	M	PA66-GF	AQUA RED	(165)	1	9
			FOLLOW 2-2394070-1	-	-	-	-	-	1-8
3-2394070-2	L	1POS.PIN DIA 10.0 HDR ASSY.90DEG	CODE HOUSING	L	PA66-GF	AQUA BROWN	(165)	1	9
			FOLLOW 2-2394070-1	-	-	-	-	-	1-8
3-2394070-1	K	1POS.PIN DIA 10.0 HDR ASSY.90DEG	CODE HOUSING	K	PA66-GF	AQUA GREEN	(165)	1	9
			FOLLOW 2-2394070-1	-	-	-	-	-	1-8
2-2394070-9	J	1POS.PIN DIA 10.0 HDR ASSY.90DEG	CODE HOUSING	J	PA66-GF	ORANGE	(165)	1	9
			FOLLOW 2-2394070-1	-	-	-	-	-	1-8
2-2394070-8	H	1POS.PIN DIA 10.0 HDR ASSY.90DEG	CODE HOUSING	H	PA66-GF	YELLOW	(165)	1	9
			FOLLOW 2-2394070-1	-	-	-	-	-	1-8
2-2394070-7	G	1POS.PIN DIA 10.0 HDR ASSY.90DEG	CODE HOUSING	G	PA66-GF	RED	(165)	1	9
			FOLLOW 2-2394070-1	-	-	-	-	-	1-8
2-2394070-6	F	1POS.PIN DIA 10.0 HDR ASSY.90DEG	CODE HOUSING	F	PA66-GF	BRDWN	(165)	1	9
			FOLLOW 2-2394070-1	-	-	-	-	-	1-8
2-2394070-5	E	1POS.PIN DIA 10.0 HDR ASSY.90DEG	CODE HOUSING	E	PA66-GF	GREEN	(165)	1	9
			FOLLOW 2-2394070-1	-	-	-	-	-	1-8
2-2394070-4	D	1POS.PIN DIA 10.0 HDR ASSY.90DEG	CODE HOUSING	D	PA66-GF	PURPLE	(165)	1	9
			FOLLOW 2-2394070-1	-	-	-	-	-	1-8
2-2394070-3	C	1POS.PIN DIA 10.0 HDR ASSY.90DEG	CODE HOUSING	C	PA66-GF	BLUE	(165)	1	9
			FOLLOW 2-2394070-1	-	-	-	-	-	1-8
2-2394070-2	B	1POS.PIN DIA 10.0 HDR ASSY.90DEG	CODE HOUSING	B	PA66-GF	NATURE	(165)	1	9
			FOLLOW 2-2394070-1	-	-	-	-	-	1-8
2-2394070-1	A	1POS.PIN DIA 10.0 HDR ASSY.90DEG	CODE HOUSING	A	PA66-GF	BLACK	(165)	1	9
			HEADER TPA	-	PA66-GF	RED	-	1	8
			FINGER PROTECTION CAP	-	PA66-GF	BLACK	-	1	7
			FACE SEAL	-	SILICONE	RED	-	1	6
			BUSBAR OVERMOLD,RIGHT SIDE	-	-	-	-	1	5
			OUTER HOUSING	-	PA66-GF	BLACK	-	1	4
			INNER HOUSING	-	PA66-GF	BLACK	-	1	3
			HV INTERLOCK TERMINAL	-	-	-	-	2	2
			HEADER HOUSING 90DEG,1POS	-	AL-ALLOY	NICKEL PLATED	-	1	1



1.MISSING DIMENSION REFER TO 2394070-1

TE-ASSY-NO.	CODE	DESCRIPTION	DESCRIPTION	CODE	MATERIAL	SURFACE COLOR	WEIGHT (g)	QTY	ITEM
5-2394070-3	M	1POS.PIN DIA 10.0 HDR ASSY.90DEG	CODE HOUSING	M	PA66-GF	AQUA RED	(165)	1	9
			FOLLOW 4-2394070-1	-	-	-	-	-	1-8
5-2394070-2	L	1POS.PIN DIA 10.0 HDR ASSY.90DEG	CODE HOUSING	L	PA66-GF	AQUA BROWN	(165)	1	9
			FOLLOW 4-2394070-1	-	-	-	-	-	1-8
5-2394070-1	K	1POS.PIN DIA 10.0 HDR ASSY.90DEG	CODE HOUSING	K	PA66-GF	AQUA GREEN	(165)	1	9
			FOLLOW 4-2394070-1	-	-	-	-	-	1-8
4-2394070-9	J	1POS.PIN DIA 10.0 HDR ASSY.90DEG	CODE HOUSING	J	PA66-GF	ORANGE	(165)	1	9
			FOLLOW 4-2394070-1	-	-	-	-	-	1-8
4-2394070-8	H	1POS.PIN DIA 10.0 HDR ASSY.90DEG	CODE HOUSING	H	PA66-GF	YELLOW	(165)	1	9
			FOLLOW 4-2394070-1	-	-	-	-	-	1-8
4-2394070-7	G	1POS.PIN DIA 10.0 HDR ASSY.90DEG	CODE HOUSING	G	PA66-GF	RED	(165)	1	9
			FOLLOW 4-2394070-1	-	-	-	-	-	1-8
4-2394070-6	F	1POS.PIN DIA 10.0 HDR ASSY.90DEG	CODE HOUSING	F	PA66-GF	BROWN	(165)	1	9
			FOLLOW 4-2394070-1	-	-	-	-	-	1-8
4-2394070-5	E	1POS.PIN DIA 10.0 HDR ASSY.90DEG	CODE HOUSING	E	PA66-GF	GREEN	(165)	1	9
			FOLLOW 4-2394070-1	-	-	-	-	-	1-8
4-2394070-4	D	1POS.PIN DIA 10.0 HDR ASSY.90DEG	CODE HOUSING	D	PA66-GF	PURPLE	(165)	1	9
			FOLLOW 4-2394070-1	-	-	-	-	-	1-8
4-2394070-3	C	1POS.PIN DIA 10.0 HDR ASSY.90DEG	CODE HOUSING	C	PA66-GF	BLUE	(165)	1	9
			FOLLOW 4-2394070-1	-	-	-	-	-	1-8
4-2394070-2	B	1POS.PIN DIA 10.0 HDR ASSY.90DEG	CODE HOUSING	B	PA66-GF	NATURE	(165)	1	9
			FOLLOW 4-2394070-1	-	-	-	-	-	1-8
4-2394070-1	A	1POS.PIN DIA 10.0 HDR ASSY.90DEG	CODE HOUSING	A	PA66-GF	BLACK	(165)	1	9
			HEADER TPA	-	PA66-GF	RED	-	1	8
			FINGER PROTECTION CAP	-	PA66-GF	BLACK	-	1	7
			FACE SEAL	-	SILICONE	RED	-	1	6
			BUSBAR OVERMOLD,BACK SIDE	-	-	-	-	1	5
			OUTER HOUSING	-	PA66-GF	BLACK	-	1	4
			INNER HOUSING	-	PA66-GF	BLACK	-	1	3
			HV INTERLOCK TERMINAL	-	-	-	-	2	2
			HEADER HOUSING 90DEG,1POS	-	AL-ALLOY	NICKEL PLATED	-	1	1

THIS DRAWING IS A CONTROLLED DOCUMENT.

TE Connectivity

1POS.PIN DIA 10.0 HDR ASSY.90DEG
HVP-HD1000

108-160341

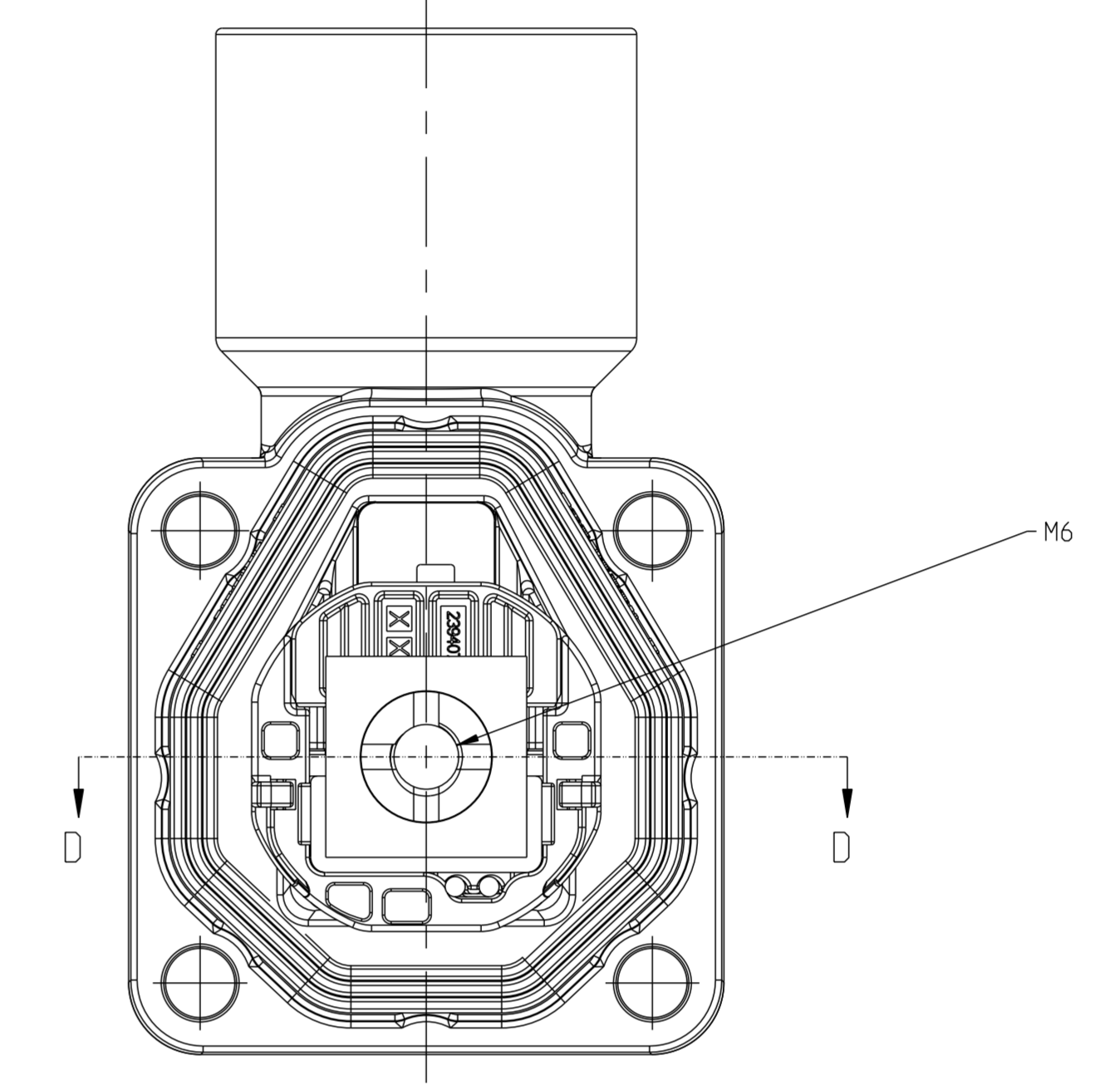
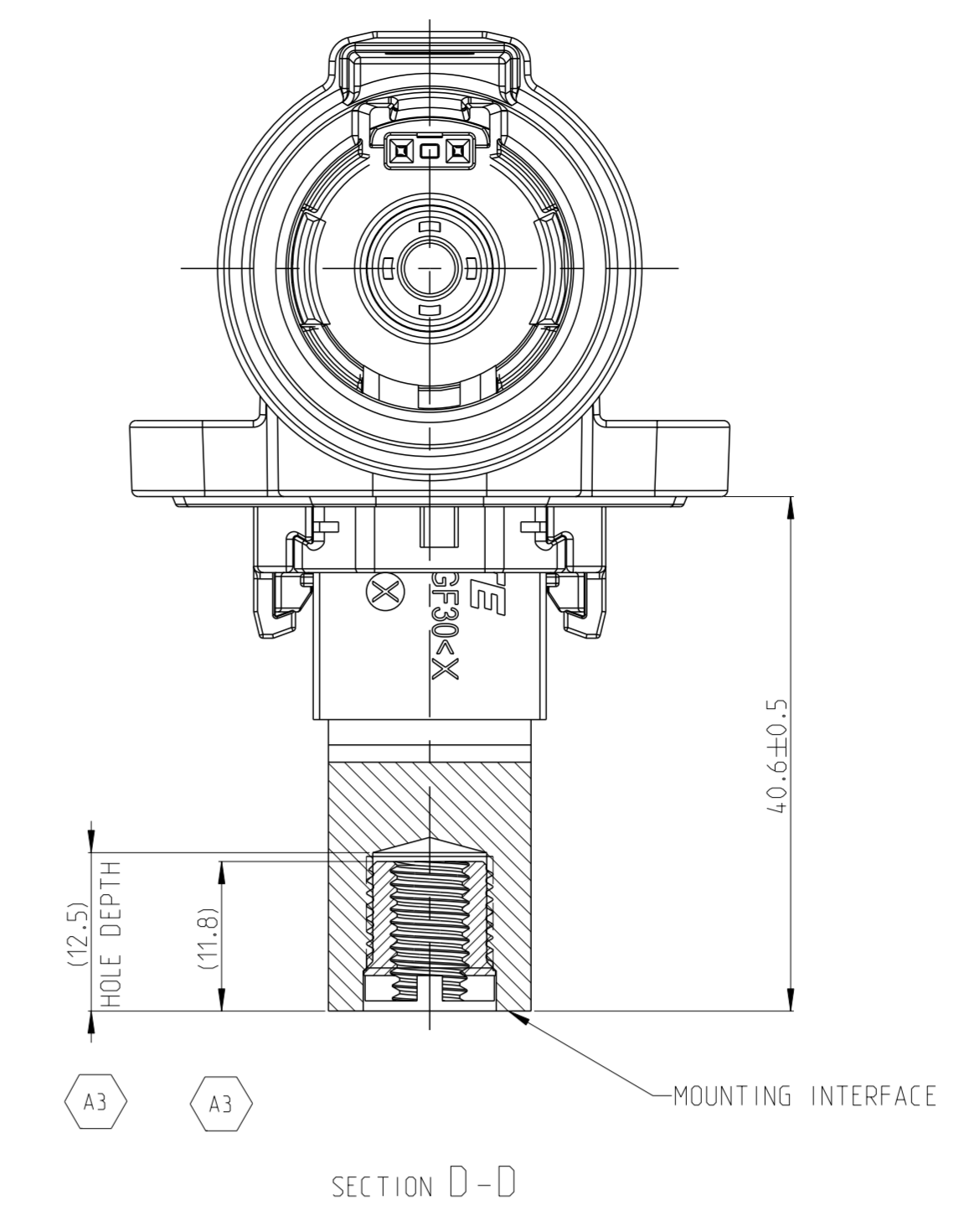
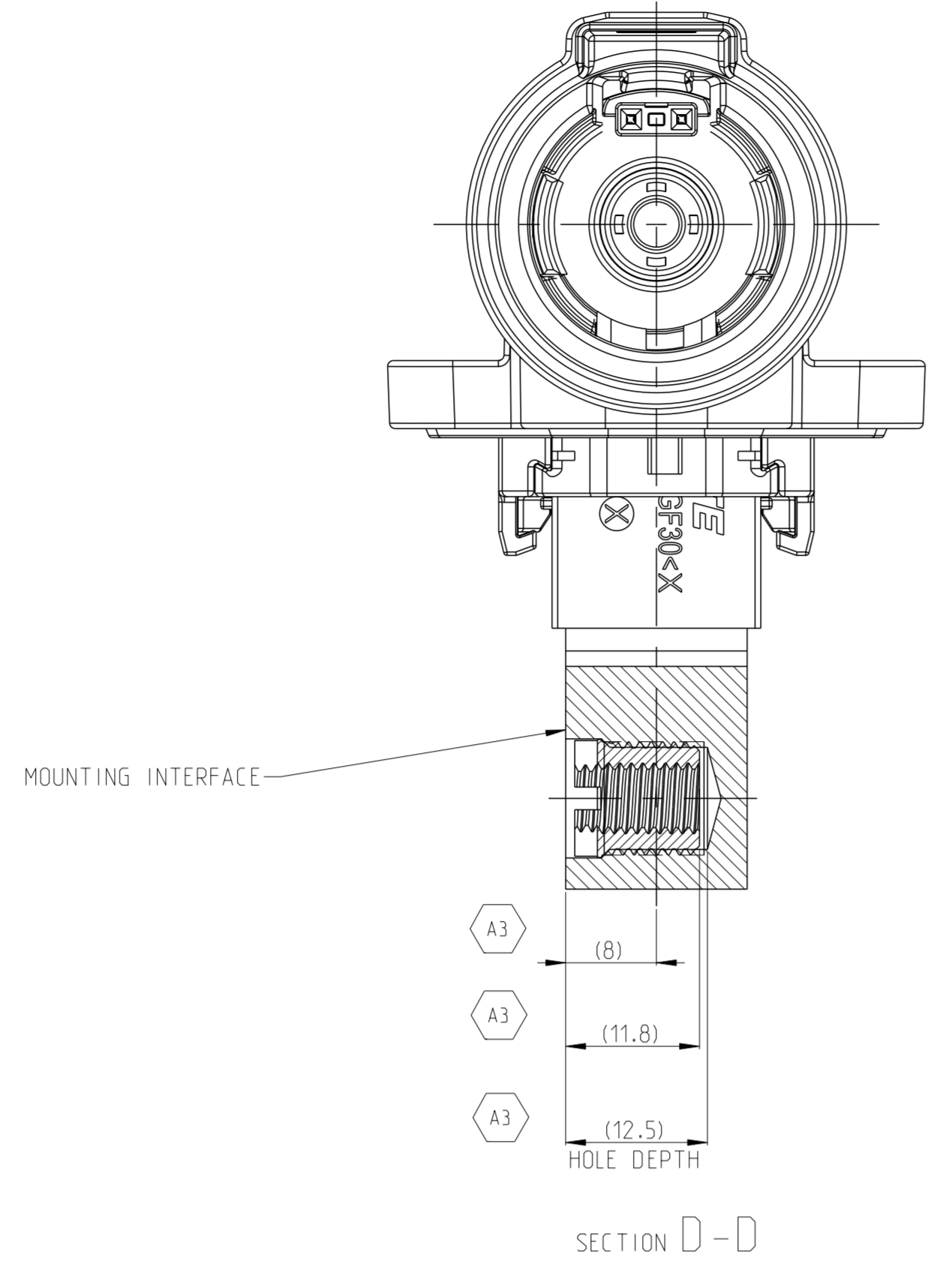
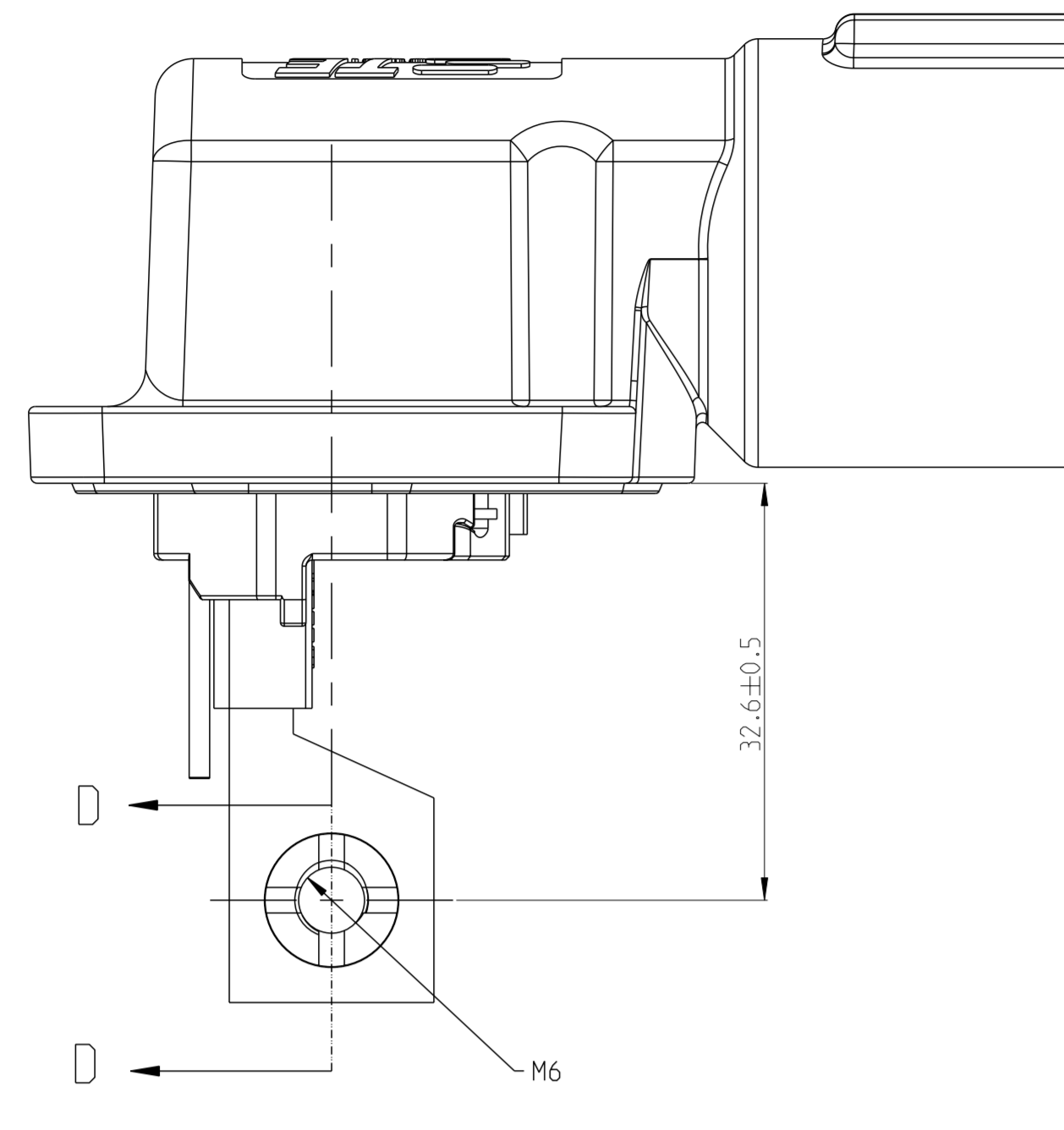
114-160181

SCALE: 2:1

SHEET 2 OF 5

REV A3

REVISIONS			
REV	DATE	BY	APPV
1			
2			
3			
4			
5			
6			
7			
8			
9			
10			



1.MISSING DIMENSION REFER TO 2394070-1

1.MISSING DIMENSION REFER TO 2394070-1

TE-ASSY-NO.	CODE	DESCRIPTION	DESCRIPTION	CODE	MATERIAL	SURFACE COLOR	WEIGHT (g)	QTY	ITEM
7-2394070-3	M	1POS,PIN DIA 10.0 HDR ASSY,90DEG	CODE HOUSING	M	PA66-GF	AQUA RED	(165)	1	9
			FOLLOW 6-2394070-1	-	-	-	-	-	1-8
7-2394070-2	L	1POS,PIN DIA 10.0 HDR ASSY,90DEG	CODE HOUSING	L	PA66-GF	AQUA BROWN	(165)	1	9
			FOLLOW 6-2394070-1	-	-	-	-	-	1-8
7-2394070-1	K	1POS,PIN DIA 10.0 HDR ASSY,90DEG	CODE HOUSING	K	PA66-GF	AQUA GREEN	(165)	1	9
			FOLLOW 6-2394070-1	-	-	-	-	-	1-8
6-2394070-9	J	1POS,PIN DIA 10.0 HDR ASSY,90DEG	CODE HOUSING	J	PA66-GF	ORANGE	(165)	1	9
			FOLLOW 6-2394070-1	-	-	-	-	-	1-8
6-2394070-8	H	1POS,PIN DIA 10.0 HDR ASSY,90DEG	CODE HOUSING	H	PA66-GF	YELLOW	(165)	1	9
			FOLLOW 6-2394070-1	-	-	-	-	-	1-8
6-2394070-7	G	1POS,PIN DIA 10.0 HDR ASSY,90DEG	CODE HOUSING	G	PA66-GF	RED	(165)	1	9
			FOLLOW 6-2394070-1	-	-	-	-	-	1-8
6-2394070-6	F	1POS,PIN DIA 10.0 HDR ASSY,90DEG	CODE HOUSING	F	PA66-GF	BRDWN	(165)	1	9
			FOLLOW 6-2394070-1	-	-	-	-	-	1-8
6-2394070-5	E	1POS,PIN DIA 10.0 HDR ASSY,90DEG	CODE HOUSING	E	PA66-GF	GREEN	(165)	1	9
			FOLLOW 6-2394070-1	-	-	-	-	-	1-8
6-2394070-4	D	1POS,PIN DIA 10.0 HDR ASSY,90DEG	CODE HOUSING	D	PA66-GF	PURPLE	(165)	1	9
			FOLLOW 6-2394070-1	-	-	-	-	-	1-8
6-2394070-3	C	1POS,PIN DIA 10.0 HDR ASSY,90DEG	CODE HOUSING	C	PA66-GF	BLUE	(165)	1	9
			FOLLOW 6-2394070-1	-	-	-	-	-	1-8
6-2394070-2	B	1POS,PIN DIA 10.0 HDR ASSY,90DEG	CODE HOUSING	B	PA66-GF	NATURE	(165)	1	9
			FOLLOW 6-2394070-1	-	-	-	-	-	1-8
6-2394070-1	A	1POS,PIN DIA 10.0 HDR ASSY,90DEG	CODE HOUSING	A	PA66-GF	BLACK	(165)	1	9
			HEADER TPA	-	PA66-GF	RED	-	1	8
			FINGER PROTECTION CAP	-	PA66-GF	BLACK	-	1	7
			FACE SEAL	-	SILICONE	RED	-	1	6
			BUSBAR OVERMOLD LEFT SIDE	-	-	-	-	1	5
			OUTER HOUSING	-	PA66-GF	BLACK	-	1	4
			INNER HOUSING	-	PA66-GF	BLACK	-	1	3
			HV INTERLOCK TERMINAL	-	-	-	-	2	2
			HEADER HOUSING 90DEG,1POS	-	AL-ALLOY	NICKEL PLATED	-	1	1

TE-ASSY-NO.	CODE	DESCRIPTION	DESCRIPTION	CODE	MATERIAL	SURFACE COLOR	WEIGHT (g)	QTY	ITEM
9-2394070-3	M	1POS,PIN DIA 10.0 HDR ASSY,90DEG	CODE HOUSING	M	PA66-GF	AQUA RED	(165)	1	9
			FOLLOW 8-2394070-1	-	-	-	-	-	1-8
9-2394070-2	L	1POS,PIN DIA 10.0 HDR ASSY,90DEG	CODE HOUSING	L	PA66-GF	AQUA BROWN	(165)	1	9
			FOLLOW 8-2394070-1	-	-	-	-	-	1-8
9-2394070-1	K	1POS,PIN DIA 10.0 HDR ASSY,90DEG	CODE HOUSING	K	PA66-GF	AQUA GREEN	(165)	1	9
			FOLLOW 8-2394070-1	-	-	-	-	-	1-8
8-2394070-9	J	1POS,PIN DIA 10.0 HDR ASSY,90DEG	CODE HOUSING	J	PA66-GF	DRANGE	(165)	1	9
			FOLLOW 8-2394070-1	-	-	-	-	-	1-8
8-2394070-8	H	1POS,PIN DIA 10.0 HDR ASSY,90DEG	CODE HOUSING	H	PA66-GF	YELLOW	(165)	1	9
			FOLLOW 8-2394070-1	-	-	-	-	-	1-8
8-2394070-7	G	1POS,PIN DIA 10.0 HDR ASSY,90DEG	CODE HOUSING	G	PA66-GF	RED	(165)	1	9
			FOLLOW 8-2394070-1	-	-	-	-	-	1-8
8-2394070-6	F	1POS,PIN DIA 10.0 HDR ASSY,90DEG	CODE HOUSING	F	PA66-GF	BROWN	(165)	1	9
			FOLLOW 8-2394070-1	-	-	-	-	-	1-8
8-2394070-5	E	1POS,PIN DIA 10.0 HDR ASSY,90DEG	CODE HOUSING	E	PA66-GF	GREEN	(165)	1	9
			FOLLOW 8-2394070-1	-	-	-	-	-	1-8
8-2394070-4	D	1POS,PIN DIA 10.0 HDR ASSY,90DEG	CODE HOUSING	D	PA66-GF	PURPLE	(165)	1	9
			FOLLOW 8-2394070-1	-	-	-	-	-	1-8
8-2394070-3	C	1POS,PIN DIA 10.0 HDR ASSY,90DEG	CODE HOUSING	C	PA66-GF	BLUE	(165)	1	9
			FOLLOW 8-2394070-1	-	-	-	-	-	1-8
8-2394070-2	B	1POS,PIN DIA 10.0 HDR ASSY,90DEG	CODE HOUSING	B	PA66-GF	NATURE	(165)	1	9
			FOLLOW 8-2394070-1	-	-	-	-	-	1-8
8-2394070-1	A	1POS,PIN DIA 10.0 HDR ASSY,90DEG	CODE HOUSING	A	PA66-GF	BLACK	(165)	1	9
			HEADER TPA	-	PA66-GF	RED	-	1	8
			FINGER PROTECTION CAP	-	PA66-GF	BLACK	-	1	7
			FACE SEAL	-	SILICONE	RED	-	1	6
			BUSBAR OVERMOLD TOP SIDE	-	-	-	-	1	5
			OUTER HOUSING	-	PA66-GF	BLACK	-	1	4
			INNER HOUSING	-	PA66-GF	BLACK	-	1	3
			HV INTERLOCK TERMINAL	-	-	-	-	2	2
			HEADER HOUSING 90DEG,1POS	-	AL-ALLOY	NICKEL PLATED	-	1	1

THIS DRAWING IS A CONTROLLED DOCUMENT.

DATE: 26AUG2021

REV: 1

DESCRIPTION: 1POS,PIN DIA 10.0 HDR ASSY,90DEG HVP-HD1000

SCALE: 2:1

SHEET: 3 OF 5

STC Connectivity

00779 ©2394070

REVISIONS			
REV	DATE	BY	APPV
1			
SEE SHEET 1			



TABLE 6

CODE A	CODE B	CODE C	CODE D
CODE E	CODE F	CODE G	CODE H
CODE J	CODE K	CODE L	CODE M

printed on 08 May 2022 12:17 (C:\hp\shared\lme\lme_1649955)

THIS DRAWING IS A CONTROLLED DOCUMENT.

DATE	26AUG2021	BY	JL SHI
CHK	26AUG2021	CHK	L.L.
APPROV	26AUG2021	APPROV	J.L. YIN

TE Connectivity

1POS. PIN DIA 10.0 HDR ASSY.90DEG
HVP-HD1000

108-16034-1
114-160181

SCALE 2:1 SHEET 5 OF 5

Mouser Electronics

Authorized Distributor

Click to View Pricing, Inventory, Delivery & Lifecycle Information:

[TE Connectivity:](#)

[2394070-1](#)